



1" REGULATOR GAUGE

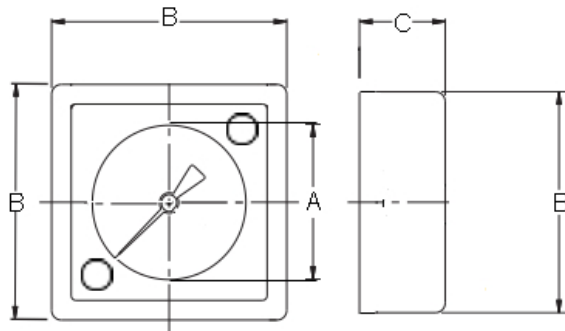
Black ABS case, copper alloy internals

SPECIFICATIONS

Dial	1" (25.4 mm)
Case	Black ABS case, dry non-fillable
Wetted Parts	Copper alloy
Lens	Plastic
Pointer	Black aluminum
Connection	Center back mount, o-ring connection
Scale	Standard: single scale psi
Accuracy	3-2-3% of span ASME B40.1 Grade B
Ambient Temp	-50° F to 160° F



Design meets or exceeds ASME B40.100 pressure gauge standard.



Dial	Unit	A	B	C
1"	In.	0.84"	1.07"	0.62"
	mm	21	27	16

AVAILABLE OPTIONS*

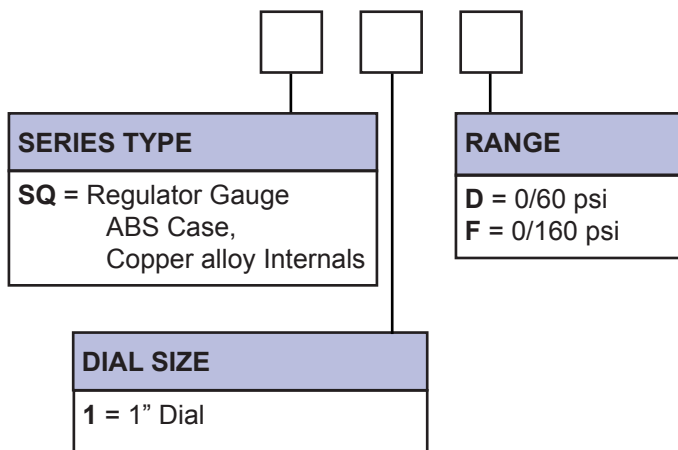
- Custom Dial
- Alternate Ranges
- Alternate Scales
- Custom Housing
 - Color
 - Dimensions
 - Mounting Style

*Lead times/minimums may apply

APPROXIMATE SHIPPING WEIGHTS/ BOX QUANTITIES

Dial Size	Est. Unit Wt.	Box Qty
1"	0.04 lbs (0.02 kg)	upon request

PART NUMBERING SYSTEM



Because of continuing improvements, specifications are subject to change without notice.
NOTE: Not all part numbers or options are available from stock. Consult PIC Gauges for availability.