



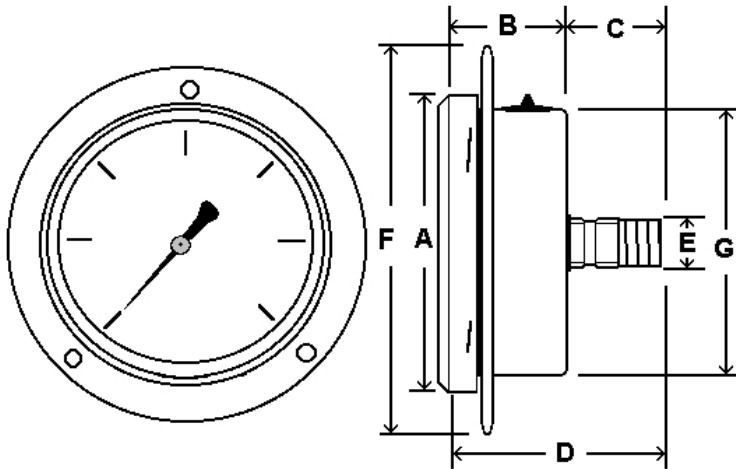
214D REMOVABLE BEZEL FRONT FLANGE PANEL MOUNT

Dry yet fillable gauge with removable bezel, adjustable pointer
 Stainless steel case and bezel, copper alloy internals

SPECIFICATIONS

2 Dial	2 1/2" (63 mm)
Case	Stainless steel, dry yet fillable
Wetted Parts	Copper alloy
Bezel	Removable, stainless steel
Lens	Glass
Pointer	Adjustable, black aluminum
Connection	Center back mount with front flange 1/4" NPT
Scale	Standard: psi/BAR (x 100 = kPa)
Accuracy	2-1-2% of span ASME B40.1 Grade A
Ambient Temp	Dry = -30° F to 180° F Glycerine Filled = 30° F to 160° F

Design meets or exceeds ASME B40.100 pressure gauge standard.



AVAILABLE OPTIONS*

- Certificate of Accuracy, NIST traceable
- Custom Dial
- Liquid Fill Options, see page 176
- Anti-Vibration Movement, see page 109
- Cleaned for Oxygen Service (dry only)
- Special Connection Size
- Plastic Lens
- Max/Min Pointer, see page 122

*Lead times/minimums may apply

Dial	Unit	A	B	C	D	E	F	G
2 1/2"	In.	2.83"	1.37"	1.00"	2.29"	1/4"	3.45"	2.48"
	mm	72	35	25	58	NPT	88	63

For complete flange dimensions, see page 123.

APPROXIMATE SHIPPING WEIGHTS/ BOX QUANTITIES

Dial Size	Est. Unit Weight	Box Qty
2 1/2"	0.55 lbs (0.25 kg)	50