



# 304LFW ALL STAINLESS FRONT FLANGE PANEL MOUNT

Heavy duty, all stainless steel gauge with welded case-to-stem connection

Stainless steel case and bezel, 316 stainless steel internals

Glycerine filled for added durability in applications where vibration or pulsation is present

## SPECIFICATIONS

<b>Dial</b>	1 ½" (40 mm), 2" (50 mm), 2 ½" (63 mm), 4" (100 mm) - See 314D page 42 6" (150 mm) - See 6004 page 55
<b>Case</b>	Stainless steel, glycerine filled (available dry) Welded case-to-stem connection
<b>Wetted Parts</b>	316 stainless steel
<b>Bezel</b>	Stainless steel, fixed
<b>Lens</b>	Polycarbonate
<b>Pointer</b>	Black aluminum
<b>Connection</b>	Center back mount with front flange 1 ½" dial = ⅛" NPT 2" dial = ⅛" or ¼" NPT 2 ½" dial = ¼" NPT
<b>Scale</b>	Standard: psi/BAR (x 100 = kPa)
<b>Accuracy</b>	3-2-3% of span 1 ½" & 2" ASME B40.1 Grade B 2-1-2% of span 2 ½" ASME B40.1 Grade A
<b>Ambient Temp</b>	Glycerine Filled = 30° F to 160° F Dry = -30° F to 180° F

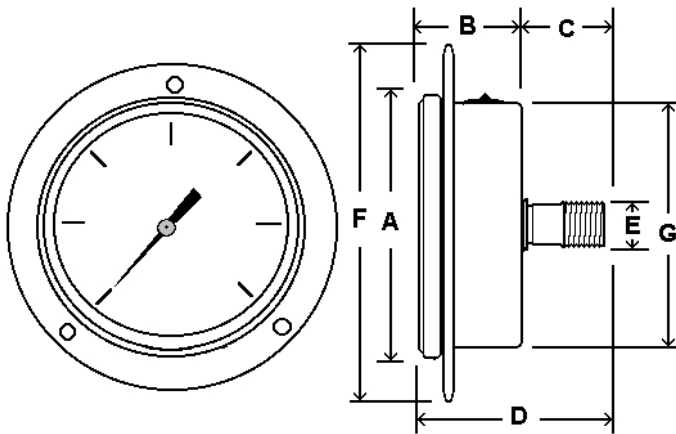


## AVAILABLE OPTIONS\*

- Certificate of Accuracy, NIST traceable
- Custom Dial
- Liquid Fill Options, see page 176
- Anti-Vibration Movement, see p. 107
- Dry, Fillable Case
- Glass Lens
- Cleaned for Oxygen Service (dry only)
- Special Connection Size
- Single Scale
- Max/Min Pointer, see p. 118

\*Lead times/minimums may apply

Design meets or exceeds ASME B40.100 pressure gauge standard.



Dial	Unit	A	B	C	D	E	F	G
1 ½"	In.	1.83"	1.01"	0.89"	1.90"	⅛"	2.46"	1.61"
	mm	46	26	23	48	NPT	63	41
2"	In.	2.25"	1.17"	1.00"	2.17"	⅛" or ¼"	2.81"	2.03"
	mm	57	30	25	55		71	52
2 ½"	In.	2.71"	1.40"	1.31"	2.71"	¼"	3.46"	2.49"
	mm	69	36	33	69	NPT	88	63

For complete flange dimensions, see page 123.

## APPROXIMATE SHIPPING WEIGHTS/ BOX QUANTITIES

Dial Size	Est. Unit Weight	Box Qty
1 ½"	0.25 lbs (0.10 kg)	upon request
2"	0.40 lbs (0.18 kg)	upon request
2 ½"	0.65 lbs (0.30 kg)	upon request