



# 312D ALL STAINLESS STEEL LOWER BACK MOUNT

Heavy duty, all stainless steel gauge with removable bezel, adjustable pointer  
 1% accuracy, welded case-to-stem connection, dry yet fillable

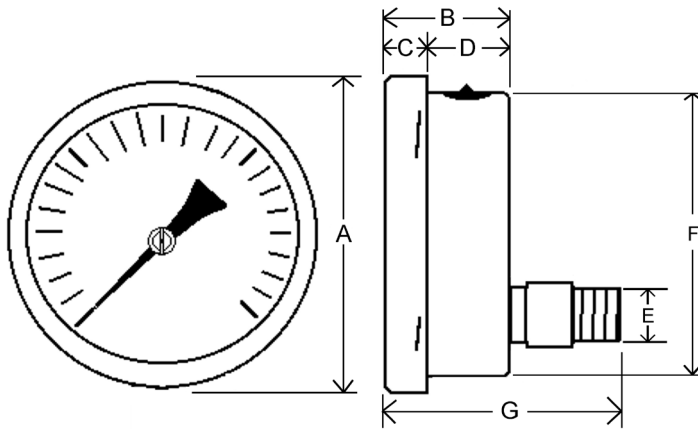
## SPECIFICATIONS

<b>Dial</b>	2 ½" (63 mm), 4" (100 mm) 6" (150 mm) - See 6002 page 54
<b>Case</b>	Stainless steel, dry yet fillable Welded case-to-stem connection
<b>Wetted Parts</b>	316 stainless steel
<b>Bezel</b>	Removable, stainless steel
<b>Lens</b>	Laminated safety glass
<b>Pointer</b>	Adjustable, black aluminum
<b>Connection</b>	Lower back mount 2 ½" dial = ¼" NPT 4" dial = ¼" or ½" NPT
<b>Scale</b>	Standard: single scale psi
<b>Accuracy</b>	1% of span ASME B40.1 Grade 1A
<b>Ambient Temp</b>	Dry = -30° F to 180° F Glycerine Filled = 30° F to 160° F

3



Design meets or exceeds ASME B40.100 pressure gauge standard.



Dial	Unit	A	B	C	D	E	F	G
2 ½"	In.	2.71"	1.26"	0.41"	0.85"	¼" NPT	2.47"	2.24"
	mm	69	32	10	22		63	57
4"	In.	4.00"	1.93"	0.71"	1.22"	¼" or ½" NPT	3.87"	3.39"
	mm	100	49	18	31		98	86

## AVAILABLE OPTIONS\*

- Certificate of Accuracy, NIST traceable
- Custom Dial
- Liquid Fill Options, see page 176
- Anti-Vibration Movement, see page 109
- Cleaned for Oxygen Service (dry only)
- Special Connection Size
- Protective Rubber Cover, see page 121
- Plastic Lens
- Dual Scale
- Max/Min Pointer, see page 122

\*Lead times/minimums may apply

## APPROXIMATE SHIPPING WEIGHTS/ BOX QUANTITIES

Dial Size	Est. Unit Weight	Box Qty
2 ½"	0.35 lbs (0.16 kg)	50
4"	1.10 lbs (0.50 kg)	8