



# 4001-PT GAUGE WITH TRANSMITTER

Heavy duty, all stainless steel gauge with welded case-to-stem connection  
 Solid front safety case with 4-20mA output for PLC/PID and data loggers  
 CE Approved pressure transmitter

## SPECIFICATIONS

### PRESSURE GAUGE

<b>Dial</b>	4" (100 mm)
<b>Case</b>	Stainless steel Welded case-to-stem connection
<b>Wetted Parts</b>	316L stainless steel
<b>Bezel</b>	Removable, stainless steel
<b>Lens</b>	Laminated safety glass
<b>Pointer</b>	Adjustable, black aluminum
<b>Connection</b>	Lower mount 1/4" or 1/2" NPT
<b>Scale</b>	Standard: single scale psi
<b>Accuracy</b>	Gauge: 1% of span ASME B40.1 Grade 1A
<b>Ambient Temp</b>	-10° F to 150° F



4

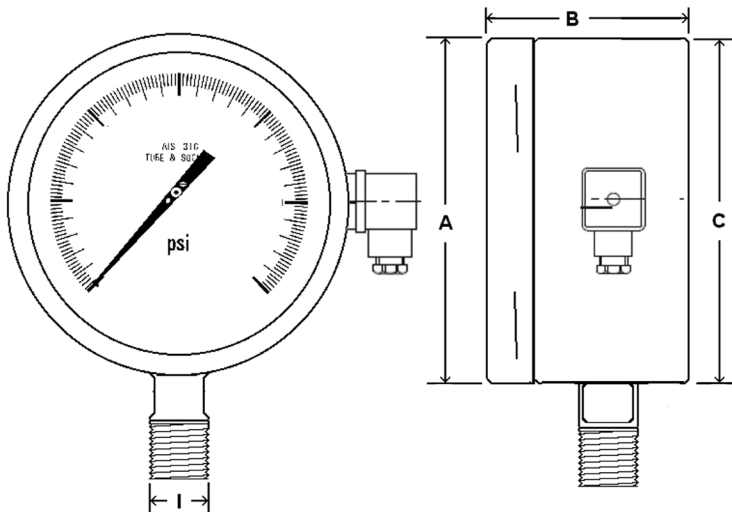
### PRESSURE TRANSMITTER

<b>System</b>	2 Wire
<b>Supply</b>	24 VDC
<b>Output</b>	4-20 mA
<b>Accuracy</b>	0.5% of FS
<b>Electric Wiring</b>	DIN Connector
<b>Response Time</b>	50 mSec (Typical)
<b>Sensing Element</b>	AISI 316L

### AVAILABLE OPTIONS\*

- Certificate of Accuracy, NIST traceable
- Custom Dial
- Special Connection Size
- Knife-edge pointer
- Max/Min Pointer, see page 122
- Electrical Contact Version

Design meets or exceeds ASME B40.100 pressure gauge standard.



Dial	Unit	A	B	C	I (=NPT)
4"	In.	4.37"	3.51"	3.94"	1/4" or 1/2"
	mm	111	89	100	

Drawings are not to scale.

\*Lead times/minimums may apply

### APPROXIMATE SHIPPING WEIGHTS/ BOX QUANTITIES

Dial Size	Est. Unit Wt.	Box Qty
4"	2.53 lb/1.15 kg	upon request