

4502 PROCESS GAUGE LOWER BACK MOUNT

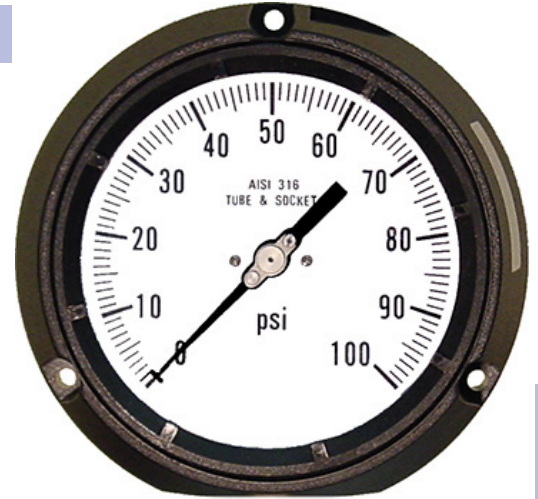
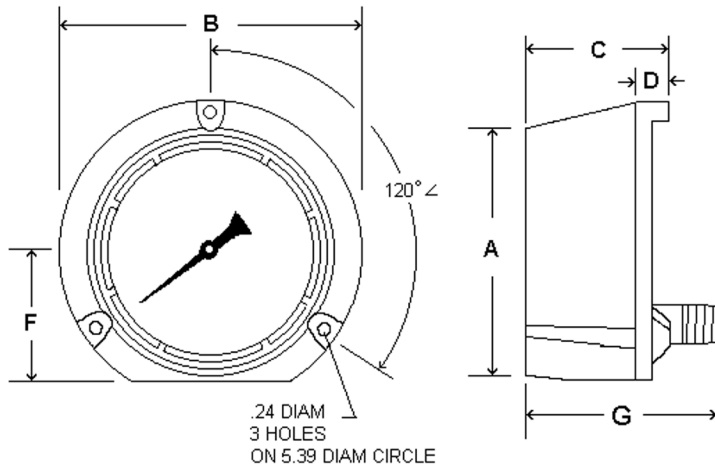


**Solid front/blow-out back safety case, liquid fillable
316 stainless steel internals**

SPECIFICATIONS

Dial	4 1/2" (114 mm)
Case	Phenolic with solid front/blow out back Dry, field liquid fillable - no kit required
Wetted Parts	316 stainless steel
Movement	With overload/underload stops
Bezel	Removable, phenolic
Lens	Polycarbonate
Pointer	Micro adjustable, black aluminum
Connection	Lower back mount with holes for wall mounting 1/4" or 1/2" NPT
Scale	Standard: single scale psi
Accuracy	0.5% of span ASME B40.1 Grade 2A
Ambient Temp	Dry = -30° F to 180° F Glycerine Filled = 30° F to 160° F

Design meets or exceeds ASME B40.100 pressure gauge standard.



4

AVAILABLE OPTIONS*

- Certificate of Accuracy, NIST traceable
- Custom Dial
- Liquid Fill Options, see page 176
- Special Connection Size
- Laminated Safety Glass Lens
- Cleaned for Oxygen Service (dry only)
- Knife-edge Pointer
- Max/Min Pointer, see page 122
- Panel Mount Kit

*Lead times/minimums may apply

APPROXIMATE SHIPPING WEIGHTS/ BOX QUANTITIES

Dial	Unit	A	B	C	D	F	G	NPT
4 1/2"	In.	5.08"	5.84"	3.44"	1.10"	2.54"	4.27"	1/4" or 1/2"
	mm	129	148	87	28	65	108	

Dial Size	Est. Unit Wt.	Box Qty
4 1/2"	2.34 lbs/ (1.06 kg)	18