

“Use No Oil” gauge designed for use on compressed gas regulators and tanks  
copper alloy case, twist off lens, copper alloy internals

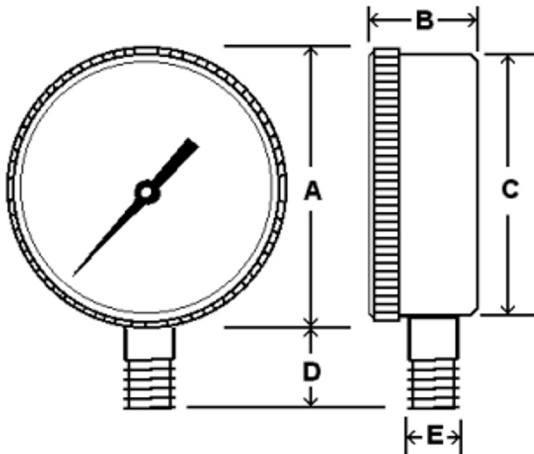
## SPECIFICATIONS

|                     |  |
|---------------------|--|
| <b>Dial</b>         | 2" (50 mm), 2 ½" (63 mm)                       |
| <b>Case</b>         | Highly polished copper alloy, dry non-fillable |
| <b>Wetted Parts</b> | Copper alloy                                   |
| <b>Bezel</b>        | Removable lens                                 |
| <b>Lens</b>         | Plastic, twist on                              |
| <b>Pointer</b>      | Black aluminum                                 |
| <b>Connection</b>   | Lower mount<br>¼" NPT                          |
| <b>Scale</b>        | Standard: single scale psi                     |
| <b>Accuracy</b>     | 3-2-3% of span, ASME B40.1 Grade B             |
| <b>Ambient Temp</b> | -4° F to 140° F                                |

*Design meets or exceeds ASME B40.100 pressure gauge standard.*



5



| Dial | Unit | A     | B     | C     | D     | E         |
|------|------|-------|-------|-------|-------|-----------|
| 2"   | In.  | 2.31" | 1.2"  | 2.07" | 1.13" | ¼"<br>NPT |
|      | mm   | 59    | 31    | 53    | 29    |           |
| 2 ½" | In.  | 2.83" | 1.13" | 2.65" | 1.13" | ¼"<br>NPT |
|      | mm   | 72    | 29    | 68    | 29    |           |

## AVAILABLE OPTIONS\*

- Custom Dial
- Special Connection Size
- Cleaned for Oxygen Service
- Ⓛ Listed (UL 252A or UL 404)
- Alternate Case Material
  - Painted Steel
  - Plastic
  - Stainless Steel

\*Lead times/minimums may apply

## APPROXIMATE SHIPPING WEIGHTS/ BOX QUANTITIES

| Dial Size | Est. Unit Wt.         | Box Qty         |
|-----------|-----------------------|-----------------|
| 2"        | 0.30 lbs<br>(0.12 kg) | upon<br>request |
| 2 ½"      | 0.35 lbs<br>(0.16 kg) | upon<br>request |