

ADJUSTABLE PRESSURE SNUBBER



SPECIFICATIONS

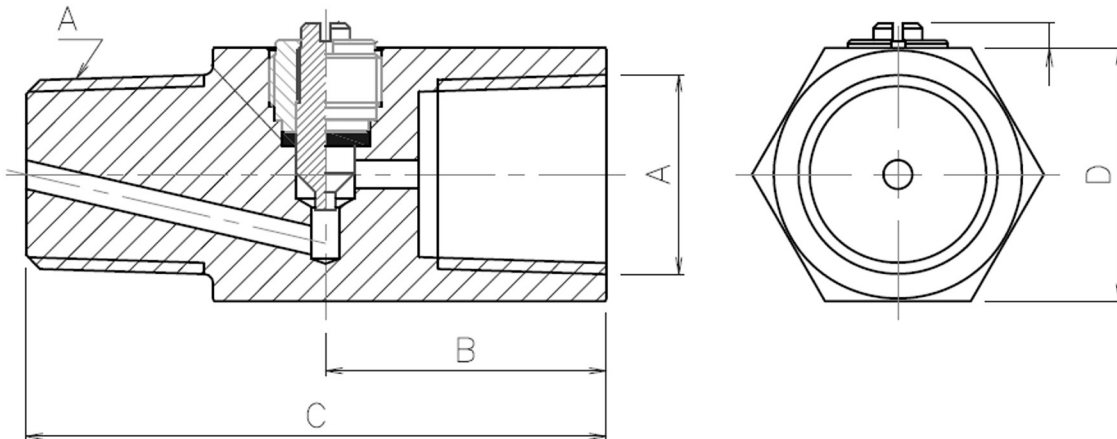
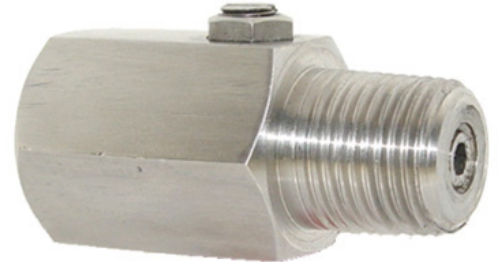
Purpose Adjustable pressure pulsation dampener
 Additionally, flow control can be regulated via Adjustment knob
 Can isolate gauge for service or replacement

Connection 1/4" or 1/2" NPT

Materials 316 Stainless steel

Pressure Rating 6000 psi maximum

Est. Unit Wt. 0.50 lbs/0.22 kg



Part Number	Units	A	B	C	D	Maximum Pressure	Box Quantity
APS-316-4	Inches	1/4" NPT	1.00"	2.05"	1.06"	6000 psi	upon request
	mm		25	52	27		
APS-316-2	Inches	1/2" NPT	1.18"	2.44"	1.06"	6000 psi	32
	mm		30	62	27		

6