

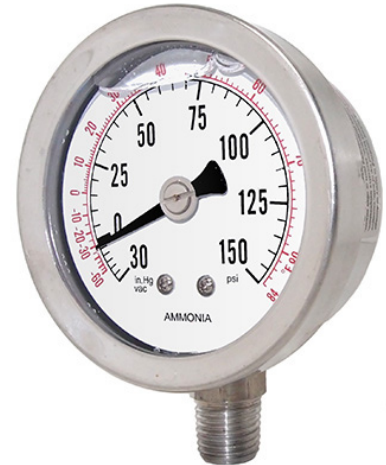
AMMONIA-LF SERIES



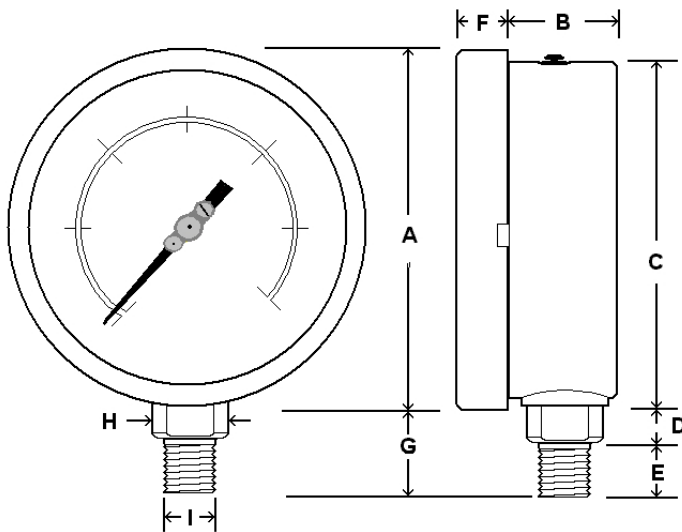
Glycerine filled gauge for ammonia refrigeration applications
Stainless steel case, 316 stainless steel internals

SPECIFICATIONS

Dial	2 ½" (63 mm), 4" (100 mm)
Case	Stainless steel, glycerine filled
Wetted Parts	316 stainless steel
Ranges	30/0/150 psi/-40/0/80° F 30/0/300 psi/-40/0/120° F
Bezel	Removable, stainless steel
Lens	Polycarbonate
Pointer	Adjustable, black aluminum
Connection	Lower mount ¼" NPT
Scale	Standard: psi/° F temperature equivalent
Accuracy	2-1-2% of span ASME B40.1 Grade A
Ambient Temp	Glycerine Filled = 30° F to 160° F Dry = -40° F to 180° F



Design meets or exceeds ASME B40.100 pressure gauge standard.



Dial	Unit	A	B	C	D	E	F	G	H	I
2 ½"	In.	2.72"	0.76"	2.50"	0.24"	0.49"	0.44"	0.70"	0.55"	¼" NPT
	mm	69	19.5	64	6.2	12.4	11.3	18	14	
4"	In.	4.32"	1.30"	4.06"	0.52"	0.58"	0.57"	1.08"	0.84"	¼" NPT
	mm	110	33	103	13.3	15	14.6	27.5	21.5	

AVAILABLE OPTIONS*

- Custom Dial
- Liquid Fill Options, see page 176
- Glow Dials
- Special Connection Size
- Other Ranges

*Lead times/minimums may apply

APPROXIMATE SHIPPING WEIGHTS/ BOX QUANTITIES

Dial Size	Est. Unit Wt.	Box Qty
2 ½"	0.50 lbs (0.22 kg)	100
4"	1.75 lbs (0.80 kg)	30

5