



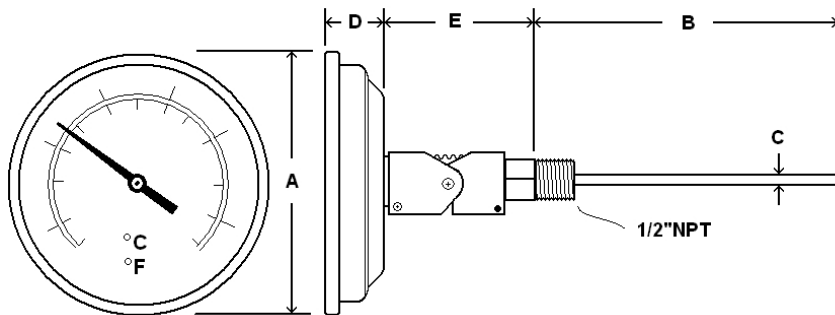
# BIMETAL THERMOMETERS ADJUSTABLE ANGLE TYPE

Every angle adjustable type thermometer  
Features anti-vibration design, anti-parallax dial and hermetically sealed

## SPECIFICATIONS

|                            |  |
|----------------------------|--|
| <b>Dial</b>                | 3" (76 mm), 5" (130 mm)<br>Anti-parallax dial design |
| <b>Case</b>                | Stainless steel, hermetically sealed                 |
| <b>Stem</b>                | 316 stainless steel welded to connection             |
| <b>Lens</b>                | Glass  |
| <b>Pointer</b>             | Black aluminum                                       |
| <b>Connection</b>          | Adjustable angle<br>1/2" NPT on 3" & 5"              |
| <b>Scale</b>               | Standard: dual scale F & C                           |
| <b>Accuracy</b>            | 1% full scale per Grade A, ASME B40.3                |
| <b>Ambient Temp*</b>       | -30° F to 180° F                                     |
| <b>External Adjustment</b> | Zero reset screw on 3" & 5" dial                     |

*Design meets or exceeds ASME B40.3 thermometer standard.*



## AVAILABLE OPTIONS\*

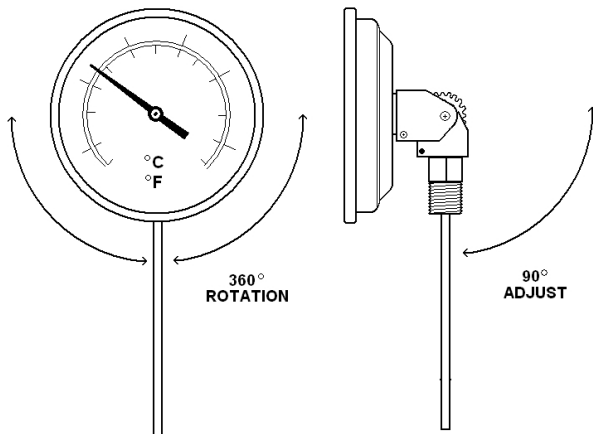
- Certificate of Accuracy, NIST traceable
- Custom Dial
- Special Connection Size
- Single Scale
- Special Ranges
- Custom Lens Material

| Dial | Unit | A     | B           | C     | D     | E     | F           |
|------|------|-------|-------------|-------|-------|-------|-------------|
| 3"   | In.  | 3.27" | Stem Length | 0.25" | 0.82" | 2.45" | 1/2"<br>NPT |
|      | mm   | 83    | Stem Length | 6.45  | 21    | 62    |             |
| 5"   | In.  | 5.28" | Stem Length | 0.25" | 0.82" | 2.45" | 1/2"<br>NPT |
|      | mm   | 134   | Stem Length | 6.45  | 21    | 62    |             |

\*Lead times/minimums may apply

## APPROXIMATE SHIPPING WEIGHTS/ BOX QUANTITIES

| Dial Size | Est. Unit Weight      | Box Qty      |
|-----------|-----------------------|--------------|
| 3"        | 1.00 lbs<br>(0.40 kg) | upon request |
| 5"        | 1.40 lbs<br>(0.60 kg) | upon request |



\*NOTE: High or low ambient temperatures may have adverse effect on accuracy. Consult PIC Gauges for instrument selection.