

CONTRACTOR SERIES

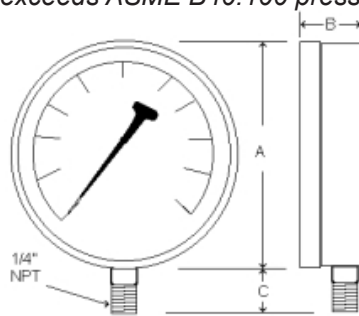
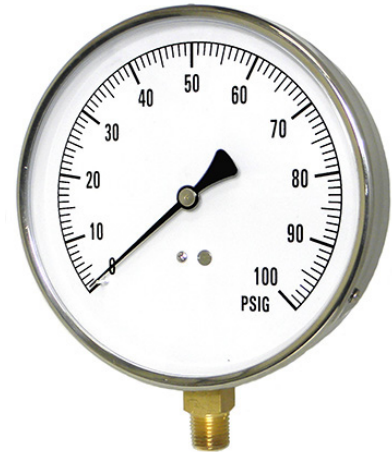


Large, easily readable gauge designed for commercial & industrial use
 Suitable for air, water, oil, gas or any other media not corrosive to copper alloy

SPECIFICATIONS

Dial	4 1/2" (114 mm)
Case	Stainless steel, dry non-fillable
Wetted Parts	Copper alloy
Bezel	Removable, stainless steel
Lens	Plastic
Pointer	Adjustable, black aluminum Adjustment screw on dial
Connection	Lower mount 1/4" NPT
Scale	Standard: single scale psi
Accuracy	1% of span ASME B40.1 Grade 1A
Ambient Temp	-30° F to 180° F

Design meets or exceeds ASME B40.100 pressure gauge standard.

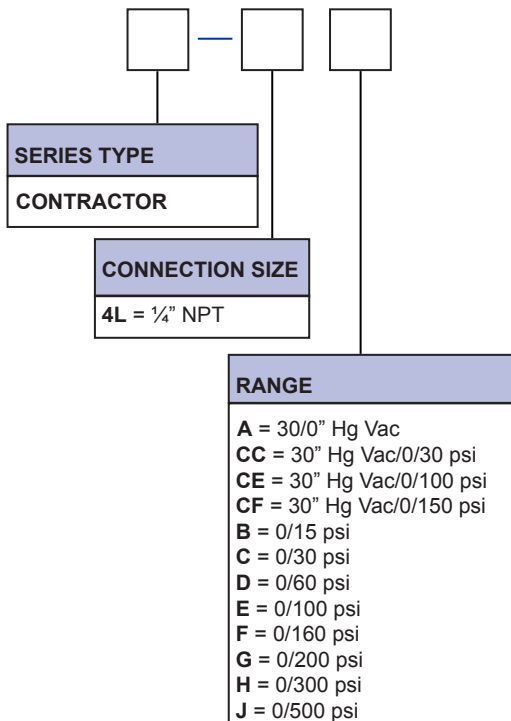


AVAILABLE OPTIONS*

- Certificate of Accuracy, NIST Traceable
- Custom Dial
- Special Connection Size
- Cleaned for Oxygen Service (dry only)
- Max/Min Pointer, see page 122

5

PART NUMBERING SYSTEM



Dial	Unit	A	B	C
4 1/2"	In.	4.9"	1.17"	.97"
	mm	124	30	25

*Lead times/minimums may apply

APPROXIMATE SHIPPING WEIGHTS/ BOX QUANTITIES

Dial Size	Est. Unit Wt.	Box Qty
4 1/2"	0.75 lb/(0.36kg)	upon request

STANDARD DIAL CONFIGURATIONS

Dial Range	Figure Intervals	Graduation Intervals	Dial Range	Figure Intervals	Graduation Intervals
30/0"hg Vac	5" hg	0.5" hg	0/60 psi	10 psi	1 psi
30/0/30 psi	10" hg/5psi	1" hg/1 psi	0/100 psi	10 psi	1 psi
30/0/100 psi	30" hg/10psi	2" hg/1 psi	0/160 psi	20 psi	2 psi
30/0/150 psi	30"hg/25 psi	5" hg/5 psi	0/200 psi	20 psi	2 psi
0/15 psi	2.5 psi	0.25 psi	0/300 psi	50 psi	5 psi
0/30 psi	5 psi	0.5 psi	0/500 psi	50 psi	5 psi

NOTE: Because of continuing improvements, increments and specifications are subject to change. Stock ranges vary by dial size and configuration. Consult PIC Gauges for availability.