

COOLING TOWER



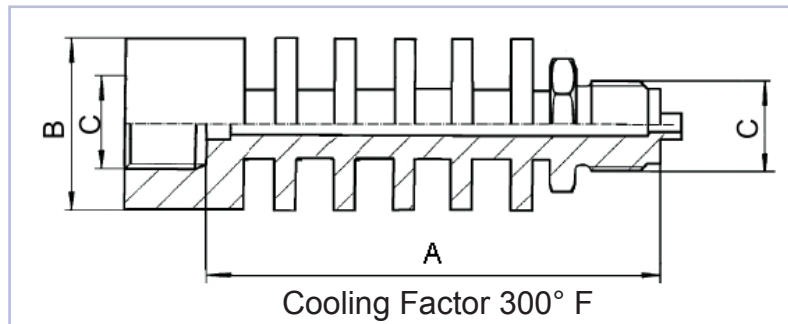
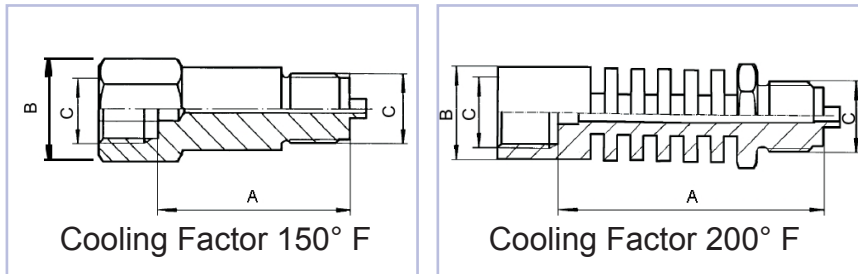
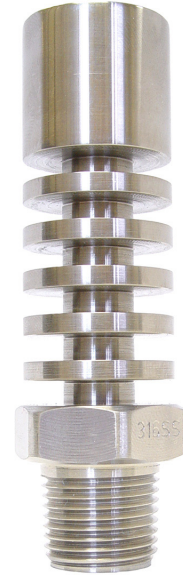
SPECIFICATIONS

Purpose Designed to protect instruments in high temperature applications
Can reduce media temps by up to 150° F, 200° F or 300° F

Connection 1/4" or 1/2" NPT

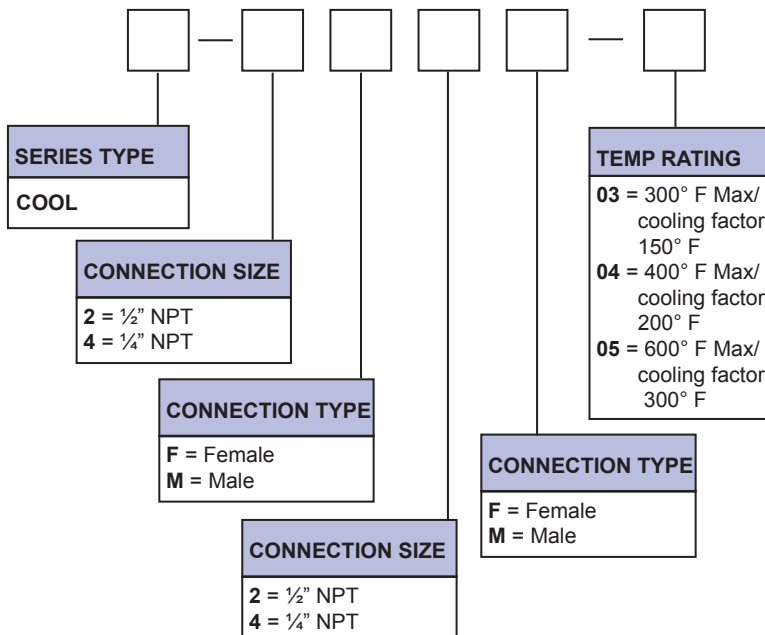
Materials Stainless steel - 316SS

Temperature Rating Maximum 300° F/150° C - Cooling factor 150° F/65° C
Maximum 400° F/200° C - Cooling factor 200° F/93° C
Maximum 600° F/315° C - Cooling factor 300° F/150° C



Cooling Factor	Units	A	B	C
150° F	In	2.25"	1.06"	1/4" or 1/2" NPT
	mm	57	27	
200° F	In	3.80"	1.07"	1/4" or 1/2" NPT
	mm	97	27	
300° F	In	4.22"	1.58"	1/4" or 1/2" NPT
	mm	107	40	

PART NUMBERING SYSTEM



Cooling Factor	Est. Unit Wt. lbs	Est. Unit Wt. kg
150° F	0.55	0.24
200° F	0.65	0.28
300° F	1.20	0.54

NOTE: Not all part numbers or options are available from stock. Consult PIC Gauges for availability.
A Division of Engineered Specialty Products, Inc.