

DS-M3A SANITARY DIAPHRAGM SEALS



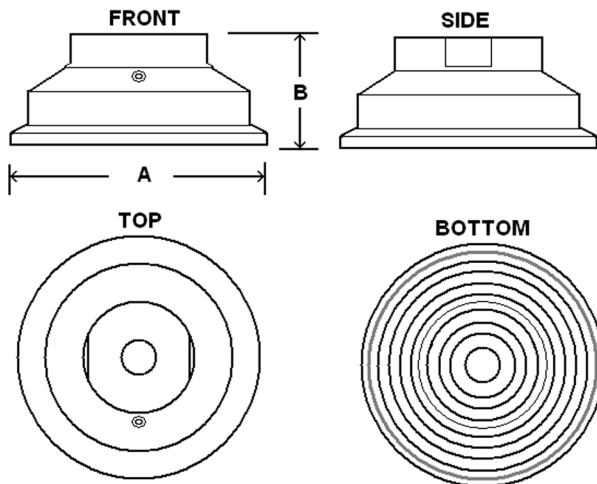
Sanitary Tri-Clamp® style diaphragm seal for applications that require sanitary conditions, including food and beverage applications

SPECIFICATIONS

Design	Upper housing and separating diaphragm
Instruments	Gauges, pressure switches, transmitters
Appropriate Dial Size	1 ½" (38 mm) through 6" (152.4 mm)
Operating Temp¹	-10° F to 572° F (-23° C to 300° C)
Upper Housing	316 stainless steel
Diaphragm	Standard: 316L stainless steel Other materials available upon request
Sanitary Clamp Size	½" - 4"
Pressure Rating	Based on the clamp and gasket used with the assembly



Designed & manufactured to meet the requirements of the 3A sanitary standard.



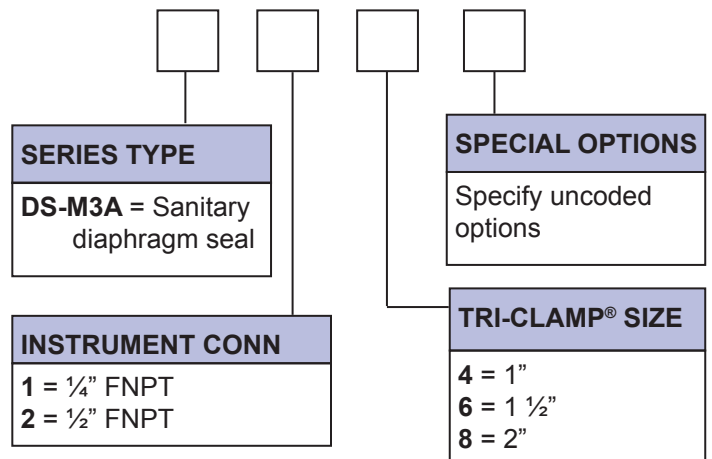
Tri-Clamp® Size	Unit	A	B
1"	In.	2.00"	1.26"
	mm	51	32
1 ½"	In.	2.00"	1.26"
	mm	51	32
2"	In.	2.50"	1.26"
	mm	63	32

AVAILABLE OPTIONS*

- Without fill-port
- Material analysis certificate
- ½" and ¾" Tri-Clamp® dimensions available upon request

*Lead times/minimums may apply

PART NUMBERING SYSTEM



Notes:

1. Operating Temperature Rating can vary based on materials of construction, system fill fluid and pressure gauge selection.
2. Not all part numbers or options are available from stock. Consult PIC Gauges for availability.

A Division of Engineered Specialty Products, Inc.