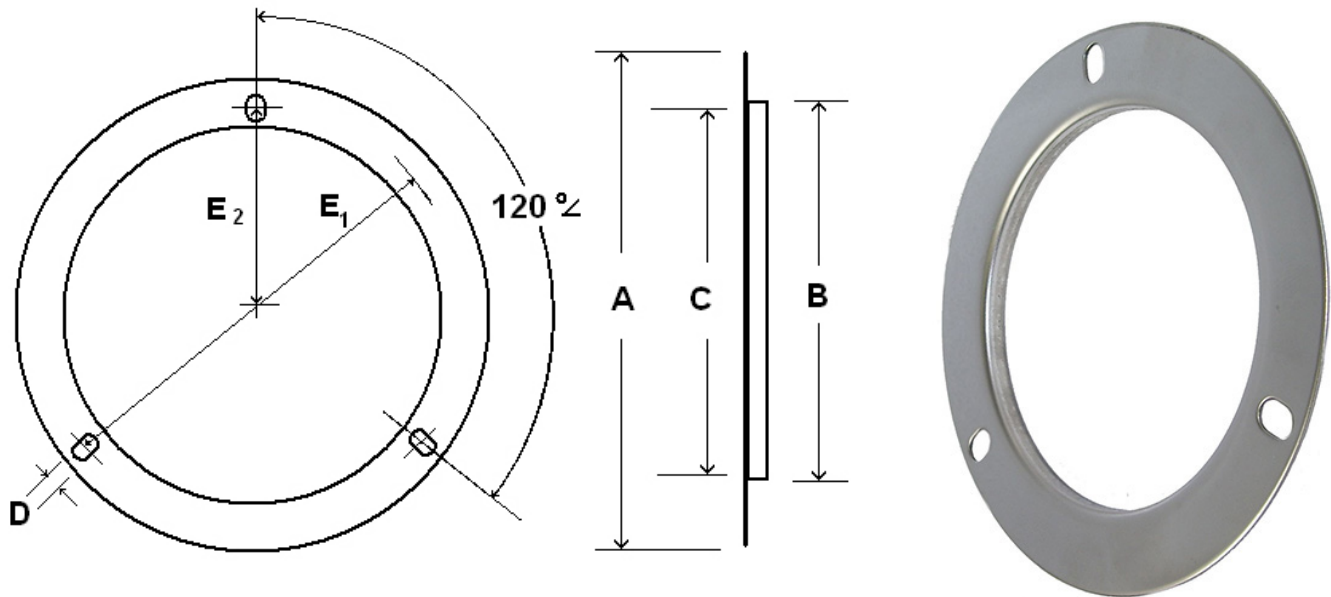


# FRONT AND BACK FLANGES



Stainless steel flanges designed for use with pressure gauges  
 Front flanges can be used with center back mount (CBM) or lower back mount (LBM) connections  
 Back flanges can be used with lower mount or back mount gauges



## DIMENSIONAL INFORMATION

	PART NUMBER	GAUGE MODELS	DIMENSIONAL INFORMATION					
			A	B	C	D	E1	E2
			FLANGE OD	CASE RING OD	CASE RING ID	SCREW HOLE DIAMETER	ON DIAMETER CIRCLE	DISTANCE FROM DIAMETER
1	FLANGE-15-DRY	103D-158	2.22"/56.5 mm	1.66"/42 mm	1.60"/40.7 mm	0.117"/3 mm	1.91"/48 mm	0.96"/24 mm
2	FLANGE-15-LF	202L-158, 302L-158	2.46"/62.5 mm	1.72"/44 mm	1.62"/41 mm	0.125"/3 mm	1.93"/49 mm	0.97"/24.5 mm
3	FLANGE-15-NH	103D-158	2.22"/5.7 mm	1.66"/42 mm	1.60"/40.7 mm	NONE	N/A	N/A
4	FLANGE-20	102D-20X, 103D-20X, 202L-20X, 302L-20X	2.81"/71.4 mm	2.08"/53 mm	2.02"/51.2 mm	0.125"/3 mm	2.34"/60 mm	1.17"/30 mm
5	FLANGE-25	202L-254, 212D-254	3.50"/89 mm	2.58"/65 mm	2.49"/63 mm	0.17"/4 mm	3.05"/77 mm	1.52"/39 mm
6	FLANGE-61MM-OBLONG	S202L, 302DFW-254	3.48"/88 mm	2.44"/62 mm	2.38"/60.5 mm	0.17"/4.25 mm	3"/76 mm	1.5"/38 mm
7	FLANGE-62MM	103D-254, SEC-202L-254, 302DFW-254, SEC-302DFW-254	3.46"/88 mm	2.50"/63.6 mm	2.44"/62 mm	0.18"/4.6 mm	2.98"/75.7 mm	1.49"/37.9 mm
8	FLANGE-62MM-NH							
9	FLANGE-64MM-NH	103D-254, SEC-202L-254, 302DFW-254, SEC-302DFW-254	3.43"/87 mm	2.88"/66 mm	2.52"/64 mm	NONE	N/A	N/A
10	FLANGE-35	203D-354	5.17"/131 mm	3.56"/90 mm	3.45"/88 mm	0.21"/5.3 mm	4.57"/116 mm	2.28"/58 mm
11	FLANGE-4	202L-40X	5.14"/130 mm	4.02"/102 mm	3.90"/99 mm	0.22"/5.8 mm	4.49"/114 mm	2.25"/57 mm
12	FLANGE-60	6002, AMMONIA-604	7.63"/193.7 mm	6.35"/161.3 mm	6.25"/158.8 mm	0.188"/4.8 mm	7"/177.8 mm	3.5"/89 mm
13	BACK FLANGE-25	201L-254, 301LFW-254, 202L-254, 211D-254, 311D-254	3.42"/87 mm	2.58"/65 mm	2.46"/62 mm	0.17"/4.3 mm	2.99"/76 mm	1.50"/38 mm
14	BACK FLANGE-25-SEC	SEC-201L-254, SEC-202L-254	3.12"/79 mm	2.53"/64 mm	2.44"/62 mm	0.17"/4.3 mm	3.14"/80 mm	1.57"/40 mm
15	BACK FLANGE-4	201L, S201L, 301L	5.125"/130.2 mm	3.96"/100.6 mm	3.9"/99.1 mm	0.16"/4.1 mm	4.5"/114 mm	2.25"/57 mm
16	BACK FLANGE-40	4001, 314D	5.25"/133.4 mm	3.98"/100.9 mm	3.88"/98.4 mm	0.188"/4.8 mm	4.56"/116 mm	2.28"/58 mm
17	BACK FLANGE-60	6001, 6002	7.63"/193.7 mm	6.35"/161.3 mm	6.25"/158.8 mm	0.188"/4.8 mm	7"/177.8 mm	3.5"/89 mm
18	FLANGE TO ACCOMPANY P/N 314D-254(X)		3.45"/87.7mm	2.51"/63.7mm	2.43"/61.7mm	0.19"/5mm	3.16"/80.3mm	1.58"/40.1mm
19	FLANGE TO ACCOMPANY P/N 314D-404(X)		5.23"/132.9mm	3.95"/100.3mm	3.81"/96.9mm	0.18"/4.5mm	4.50"/114.3mm	2.25"/57.3mm
20	BACK FLANGE TO ACCOMPANY P/N 115D-454(X)		5.87"/149mm	N/A	N/A	0.27"/7mm	5.36"/136.4mm	2.68"/68.2mm
21	BACK FLANGE TO ACCOMPANY P/N 115D-604(X)		7.42"/188mm	N/A	N/A	0.27"/7mm	6.70"/170.6mm	3.35"/85.3mm
22	BACK FLANGE TO ACCOMPANY P/N 115D-854(X)		10.3"/260mm	N/A	N/A	0.23"/6mm	8.74"/222.2mm	4.37"/111.1mm