

# LOW PRESSURE TEST KIT



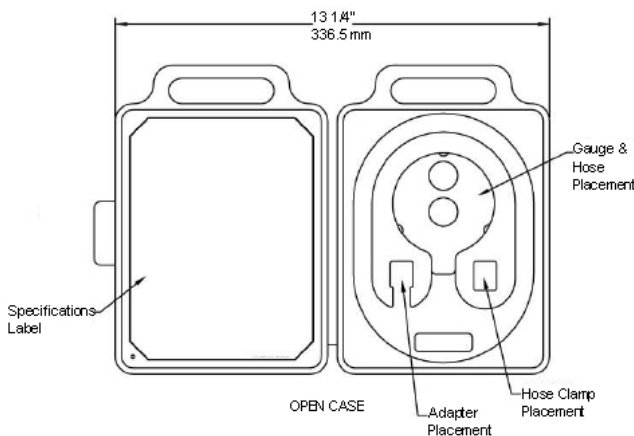
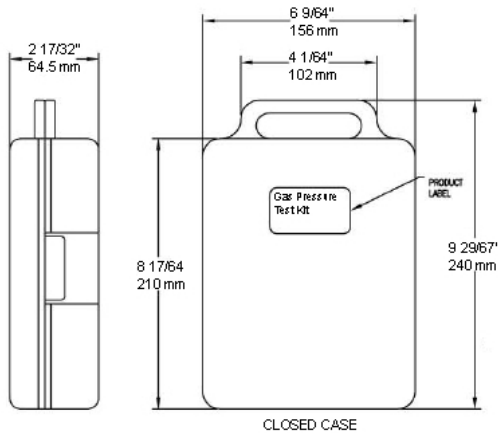
Low pressure test kit for accurate measurement of LP or natural gas  
Includes black ABS plastic molded case, hose and fitting for portable testing

## SPECIFICATIONS

<b>Part Number</b>	TEST KIT-LP
<b>Dial</b>	2 1/2" (63 mm)
<b>Case</b>	Black painted steel, dry non-fillable
<b>Wetted Parts</b>	Copper alloy
<b>Range</b>	0/20 oz X 0/35" wc*
<b>Lens</b>	Plastic, removable twist lock
<b>Pointer</b>	Adjustable, black aluminum Adjustment screw at rear of case
<b>Connection</b>	Gauge = Copper alloy hose barb Hose = Flexible rubber adapter fits multiple pipe sizes from 1/4" to 5/8" OD
<b>Scale</b>	Standard: dual scale inches of water column and oz/in <sup>2</sup>
<b>Accuracy</b>	2% of span ASME B40.1 Grade B
<b>Ambient Temp</b>	-30° F to 180° F
<b>Hose Tube</b>	3 feet (91 cm) rubber

*Design meets or exceeds ASME B40.100 pressure gauge standard.*

For gauge dimensions, see page 69.



## AVAILABLE OPTIONS\*

- Certificate of Accuracy, NIST Traceable
- Custom Dial
- Special Connection Size
- Cleaned for Oxygen Service
- Alternate Pressure/Vacuum Ranges

\*Lead times/minimums may apply

## APPROXIMATE SHIPPING WEIGHTS/ BOX QUANTITIES

Dial Size	Est. Unit Wt.	Box Qty
2 1/2"	1.50 lbs (0.68 kg)	upon request