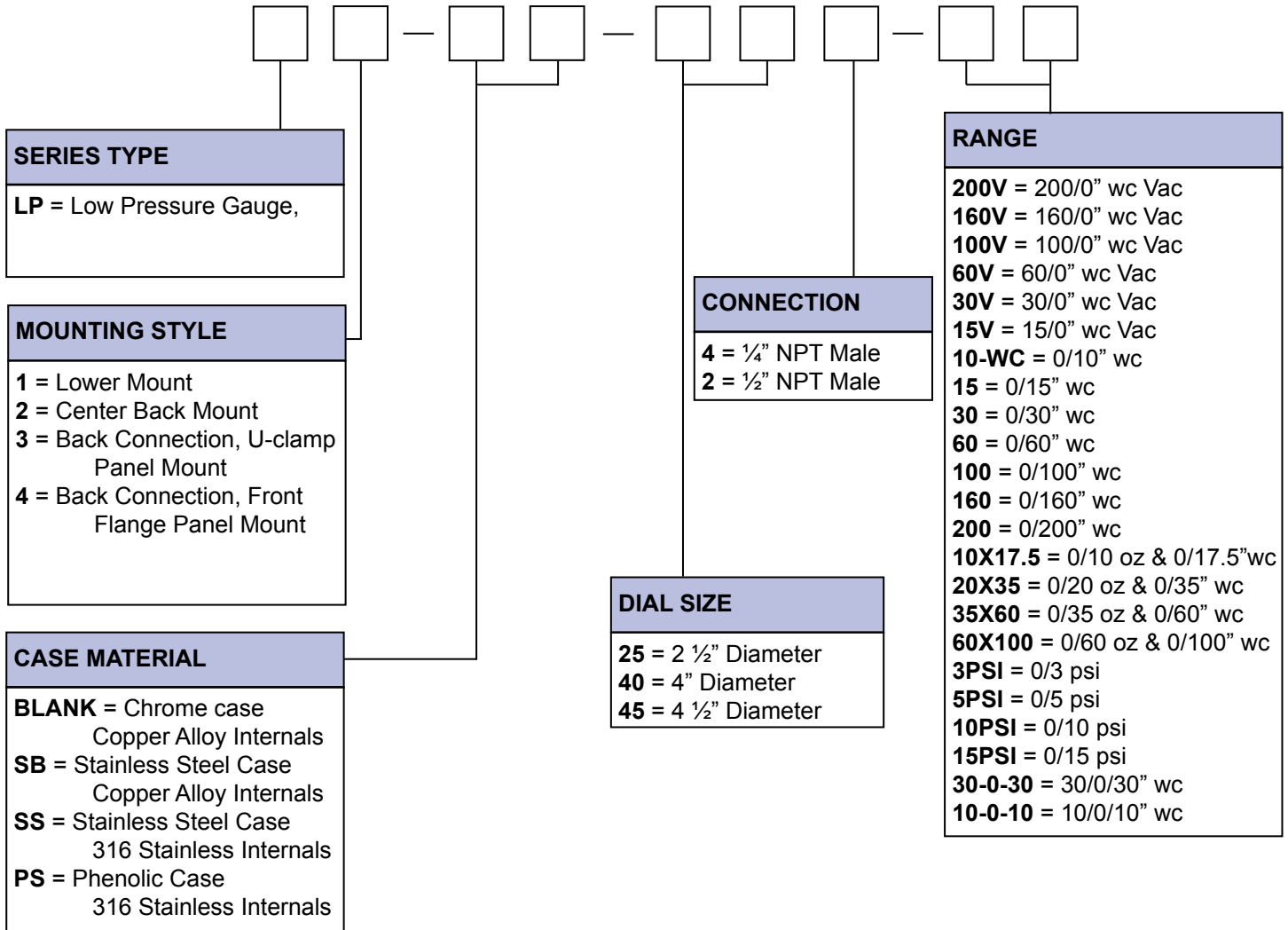




LOW PRESSURE SERIES PART NUMBERING SYSTEM



EXAMPLE: "LP1-SB-254-100"

LP = Low Pressure Gauge
1 = Lower Mount

SB = Stainless Steel Case, Copper Alloy Internals

25 = 2 1/2" Diameter
4 = 1/4" NPT Male

100 = 0/100" wc