

LP1-PS LOW PRESSURE PHENOLIC CASE



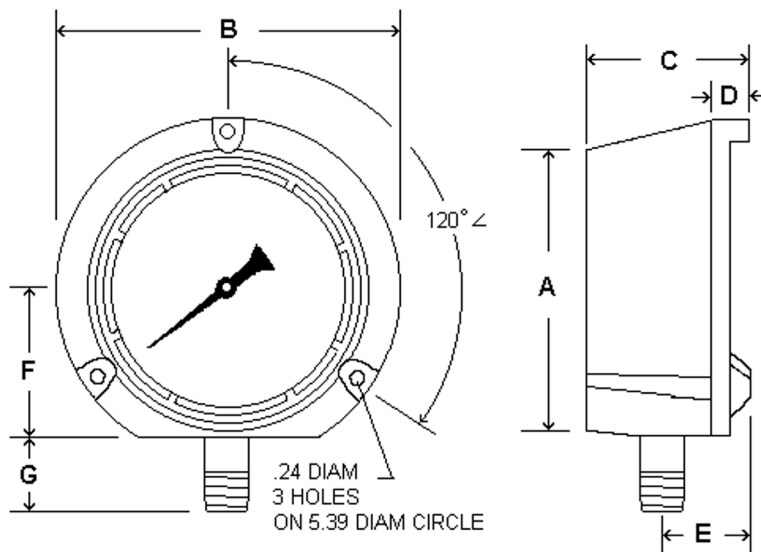
Capsule type pressure gauge for accurate measurement of low pressures
Suitable for air, water, oil, gas or any other media not corrosive to stainless steel

SPECIFICATIONS

Dial	4 1/2" (115 mm)
Case	Phenolic, dry non-fillable
Wetted Parts	316 stainless steel
Bezel	Phenolic
Lens	Tempered glass
Pointer	Adjustable, black aluminum Adjustment screw on dial face
Connection	Lower mount 1/2" or 1/4" NPT
Scale	Standard: single scale inches of water column or psi
Accuracy	2-1-2% of span ASME B40.1 Grade A
Ambient Temp	-30° F to 180° F



Design meets or exceeds ASME B40.100 pressure gauge standard.



Dial	Unit	A	B	C	D	E	F	G	NPT
4 1/2"	In.	5.10"	5.83"	3.23"	1.07"	1.65"	2.60"	1.41"	1/4" or 1/2"
	mm	130	148	82	27	42	66	36	

AVAILABLE OPTIONS*

- Certificate of Accuracy, NIST Traceable
- Custom Dial
- Special Connection Size
- Other Lens Material
- Cleaned for Oxygen Service
- Dual Scale

*Lead times/minimums may apply

APPROXIMATE SHIPPING WEIGHTS/ BOX QUANTITIES

Dial Size	Est. Unit Wt.	Box Qty
4 1/2"	2.10 lbs (0.96 kg)	upon request

STANDARD DIAL CONFIGURATIONS FOR LP1-PS SERIES

Dial Range	Figure Intervals	Graduation Intervals	Dial Range	Figure Intervals	Graduation Intervals	Dial Range	Figure Intervals	Graduation Intervals
200/0"wc Vac	20" wc	2" wc	0/15" wc	3" wc	0.2" wc	0/100" wc	20" wc	2" wc
100/0"wc Vac	10" wc	1" wc	0/30" wc	5" wc	0.5" wc	0/200" wc	20" wc	2" wc
30/0"wc Vac	5" wc	0.5" wc	0/60" wc	10" wc	0.5" wc			

Because of continuing improvements, increments and specifications are subject to change without notice. Consult PIC Gauges for availability.