

LP1-SS LOW PRESSURE ALL STAINLESS

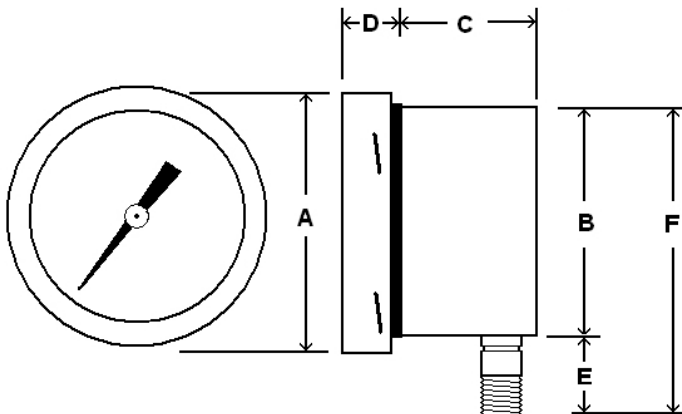
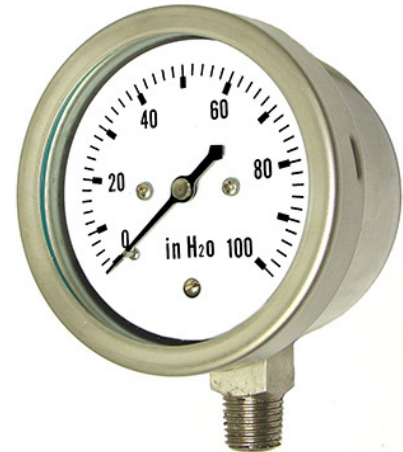


Capsule type pressure gauge for accurate measurement of low pressures
Suitable for air, water, oil, gas or any other media not corrosive to stainless steel

SPECIFICATIONS

Dial	2 ½" (63 mm), 4" (100 mm)
Case	Stainless steel, dry non-fillable
Wetted Parts	316 stainless steel
Bezel	Removable, stainless steel
Lens	Heavy duty glass
Pointer	Adjustable, black aluminum Adjustment screw on dial face
Connection	Lower mount ¼" NPT for 2 ½" & 4" dial ½" NPT for 4"
Scale	Standard: single scale inches of water column or psi
Accuracy	2-1-2% of span 2 ½" & 4" ASME B40.1 Grade A
Ambient Temp	-30° F to 180° F

Design meets or exceeds ASME B40.100 pressure gauge standard.



Dial	Unit	A	B	C	D	Conn.	E	F
2 ½"	In.	2.95"	2.55"	1.23"	0.58"	¼" NPT	1.00"	3.55"
	mm	75	65	31	15		25	90
4"	In.	4.38"	3.87"	1.27"	0.64"	¼" NPT	1.42"	5.30"
	mm	111	99	32.3	17		36	135

AVAILABLE OPTIONS*

- Certificate of Accuracy, NIST Traceable
- Custom Dial
- Special Connection Size
- Other Lens Material
- Cleaned for Oxygen Service
- Protective Rubber Cover, see page 79
- Dual Scale

*Lead times/minimums may apply

APPROXIMATE SHIPPING WEIGHTS/ BOX QUANTITIES

Dial Size	Est. Unit Wt.	Box Qty
2 ½"	0.55 lbs (0.26 kg)	upon request
4"	0.95 lbs (0.44 kg)	upon request

5