

# LP3-SS LOW PRESSURE ALL STAINLESS



Capsule type pressure gauge for accurate measurement of low pressures  
Suitable for air, water, oil, gas or any other media not corrosive to stainless steel

## SPECIFICATIONS

<b>Dial</b>	2 1/2" (63 mm)
<b>Case</b>	Stainless steel, dry non-fillable
<b>Wetted Parts</b>	316 stainless steel
<b>Bezel</b>	Removable, stainless steel
<b>Lens</b>	Heavy duty glass
<b>Pointer</b>	Adjustable, black aluminum Adjustment screw on dial face
<b>Connection</b>	Center back mount with u-clamp 1/4" NPT
<b>Scale</b>	Standard: single scale inches of water column or psi
<b>Accuracy</b>	2-1-2% of span on 2 1/2" ASME B40.1 Grade A
<b>Ambient Temp</b>	-30° F to 180° F

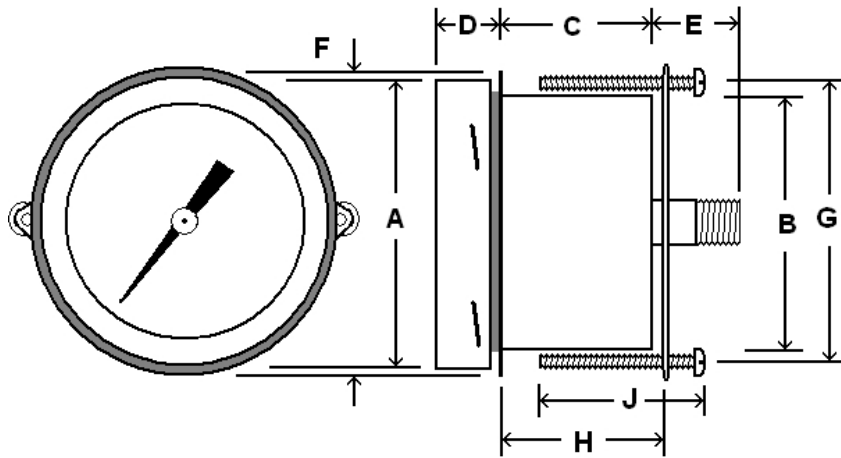
*Design meets or exceeds ASME B40.100 pressure gauge standard.*



## AVAILABLE OPTIONS\*

- Certificate of Accuracy, NIST Traceable
- Custom Dial
- Special Connection Size
- Other Lens Material
- Cleaned for Oxygen Service
- Dual Scale

\*Lead times/minimums may apply



Dial	Unit	A	B	C	D	Conn.	E
2 1/2"	In.	2.95"	2.56"	1.33"	0.55"	1/4" NPT	1.10"
	mm	75	65	34	14		28

Dial	Unit	F	G	H	J
2 1/2"	In.	3.22"	2.83"	1.46"	1.46"
	mm	82	72	37	37

## APPROXIMATE SHIPPING WEIGHTS/ BOX QUANTITIES

Dial Size	Est. Unit Wt.	Box Qty
2 1/2"	0.65 lbs (0.30 kg)	upon request

5