



LP4-SS LOW PRESSURE STAINLESS STEEL CASE

Capsule type pressure gauge for accurate measurement of low pressures
 Suitable for air, water, oil, gas or any other media not corrosive to stainless steel

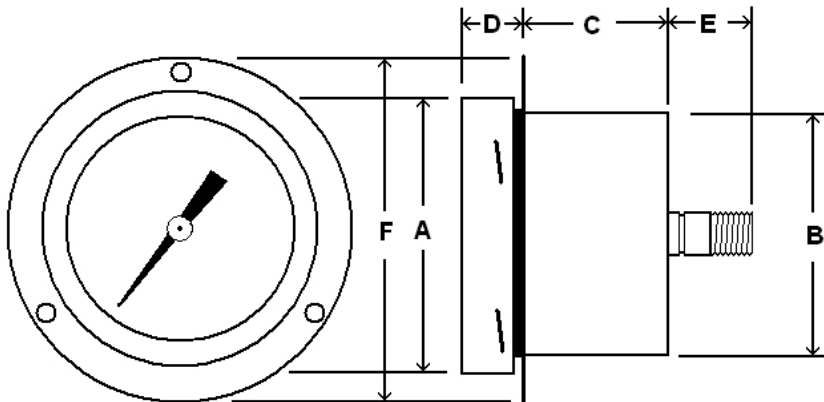
SPECIFICATIONS

Dial	2 1/2" (63 mm)
Case	Stainless steel, dry non-fillable
Wetted Parts	316 stainless steel
Bezel	Removable, stainless steel
Lens	Heavy duty glass
Pointer	Adjustable, black aluminum Adjustment screw on dial face
Connection	Center back mount with front flange 1/4" NPT
Scale	Standard: single scale inches of water column or psi
Accuracy	2-1-2% of span 2 1/2" ASME B40.1 Grade A
Ambient Temp	-30° F to 180° F

Design meets or exceeds ASME B40.100 pressure gauge standard.



5



AVAILABLE OPTIONS*

- Certificate of Accuracy, NIST Traceable
- Custom Dial
- Special Connection Size
- Other Lens Material
- Cleaned for Oxygen Service
- Dual Scale

*Lead times/minimums may apply

APPROXIMATE SHIPPING WEIGHTS/ BOX QUANTITIES

Dial	Unit	A	B	C	D	Conn.	E	F
2 1/2"	In.	2.95"	2.57"	1.23"	0.58"	1/4" NPT	1.05"	3.61"
	mm	75	65	31	15		27	92

Dial Size	Est. Unit Wt.	Box Qty
2 1/2"	0.65 lbs (0.30 kg)	upon request