

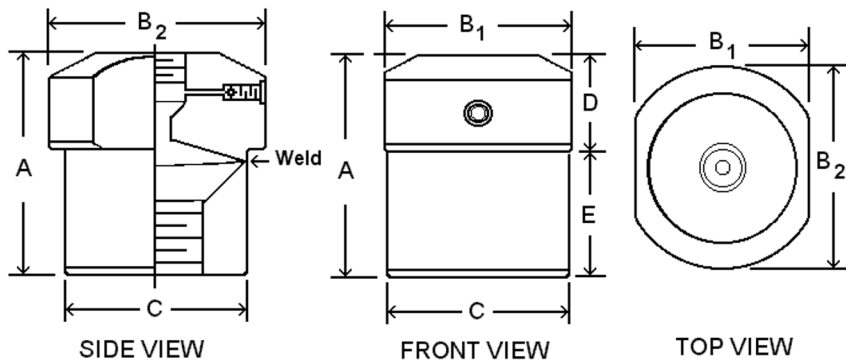
# M3500 SERIES MINI DIAPHRAGM SEAL



**Threaded mini diaphragm seal for dial sizes up to 3 1/2"**  
**Compact, durable all-welded construction**

## SPECIFICATIONS

<b>Design</b>	Diaphragm, upper and lower housing welded
<b>Instruments</b>	Gauges, pressure transducers, transmitters
<b>Appropriate Dial Size</b>	1 1/2" (38 mm) through 3 1/2" (88.9 mm)
<b>Pressures</b>	60 psi through 2500 psi
<b>Upper Housing</b>	Standard: 316 stainless steel Optional: Monel®, Hastelloy® C276, Tantalum
<b>Diaphragm</b>	Standard: 316 stainless steel Optional: Monel®, Hastelloy® C276, Tantalum
<b>Lower Housing</b>	Standard: 316 stainless steel Optional: Monel®, Hastelloy® C276, Tantalum
<b>Process Connection</b>	1/4" FNPT, 1/2" FNPT, 3/4" FNPT
<b>Instrument Connection</b>	1/4" FNPT, 1/2" FNPT
<b>Process Temperature<sup>1</sup></b>	-49°F to 400°F (-45°C to 204°C)

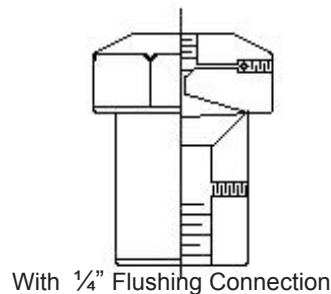


## AVAILABLE OPTIONS\*

- Flushing (1/4") connection available on lower housing
- Male threaded process connection
- Oxygen cleaned
- Material analysis certificate
- Custom upper/lower/diaphragm materials

Diaphragm Seal	Unit	A	B1	B2	C	D	E
Standard	In.	1.50"	1.60"	1.73"	1.49"	0.67"	0.81"
	mm	38	41	44	38	17	21
With Flushing Connection	In.	1.91"	1.60"	1.73"	1.49"	0.63"	1.35"
	mm	49	41	44	38	16	34

\*Lead times/minimums may apply



### Notes:

1. Process Temperature Rating can vary based on materials of construction, system fill fluid and pressure gauge selection.