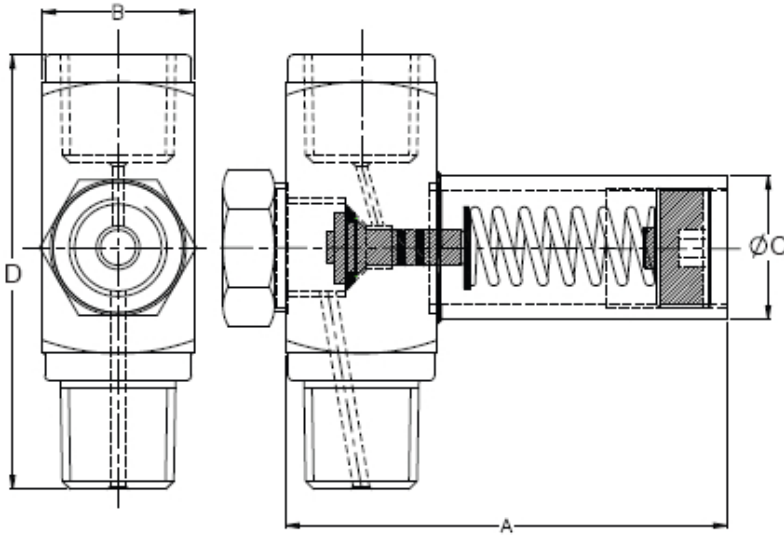


SPECIFICATIONS

Purpose	Prevent damage to instruments due to sudden pressure surges
Media	Water, air, oil, gas
Connection	1/4" or 1/2" NPT
Materials	316 Stainless steel
Pressure Rating	6000 psi maximum
Est. Unit Weight	1.30 lbs/0.58 kg



6

Units	A	B	C	D
Inches	3.50"	1.10"	1.04"	3.14"
mm	89	28	26.5	80

Part Number	Inlet	Outlet
PLV-2M-2F-(Range)	1/2" male	1/2" female
PLV-4M-4F-(Range)	1/4" male	1/4" female

Range Code	Adjustment Span	
1	60 to 87 psi	4 to 6 BAR
2	102 to 232 psi	7 to 16 BAR
3	145 to 580 psi	10 to 40 BAR
4	435 to 1160 psi	30 to 80 BAR
5	870 to 2320 psi	60 to 160 BAR
6	1450 to 5802 psi	100 to 400 BAR

AVAILABLE OPTIONS*

- Special Connection Size
 - BSP
 - Metric
 - Flaired
 - UNF
- Custom Configuration
 - Female x Female
 - Male x Male
- Cleaned for Oxygen Service
- Exotic Materials Include
 - Monel
 - Hastelloy C
- Material Test Certificates
- NACE Conformity

*Lead times/minimums may apply