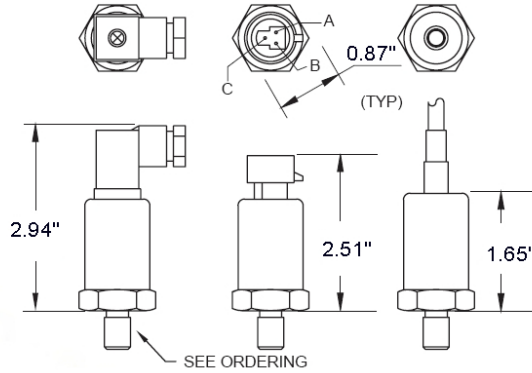


PTS PRESSURE TRANSMITTER

SEE WIRING DATA INFORMATION



Wiring Data Information				
DIN Connector PIN Function				
Signal Output	Pin 1	Pin 2	Pin 3	Pin 4
mA	Supply V+	Output	N/A	N/A
V	Supply V+	Common	Output	N/A
Cable Connector WIRE Function				
Signal Output	RED	BLUE	YELLOW	BLACK
mA	Supply V+	Output	N/A	N/A
V	Supply V+	Output	Common	N/A
Packard Plug PIN/WIRE Function				
Signal Output	A/BLACK	B/RED	C/GREEN	
mA	N/A	Supply V+	Output	
V	Common	Supply V+	Output	

CE Approved
MEMS Technology

The PTS pressure transmitters offer high quality, high stability, stainless steel compact design, ideal for the industrial environment. The transmitters are widely used in air compressors, air conditioning and refrigeration equipment, automotive and hydraulic control.

ELECTRICAL:

Output: 4 - 20 mA (2 wire)
0 - 5V, 0 - 10V, 0.5 - 4.5V,
1 - 5V (3 wire)
Supply: 9 - 36 VDC (2 wire), 5 VDC
3 wire optional

OPERATING TEMPERATURE:

-40° F to 212° F (-40°C to 100°C)

ACCURACY:

+/- 0.5% (Full Scale) - Standard
+/- 0.25% (Full Scale) - Special Order Only

INSULATION:

>100m Ω@50V

PROTECTION:

IP 69 Cable, Packard, or M12
IP 65 with DIN
IP 69 Deutsch Integral

STORAGE TEMPERATURE:

-58°F to 257°F (-50°C to 125°C)

RESPONSE TIME:

<10 milliseconds

MATERIAL:

Wetted Area: Ceramic
Body: 304 Stainless Steel

PRESSURE RANGE:

0 - 8700 psi
(0 - 600 BAR)

COMPENSATION TEMPERATURE:

14°F to 176°F (-10°C to 80°C)

OVERLOAD PRESSURE:

150% Full Scale

SENSING ELEMENT:

Ceramic

MEDIUM COMPATIBILITY:

Corrosive medium compatible with
Cr18Ni9Ti and Ceramic

ORDERING INFORMATION

PTS	-A	-3000	-P1	-C4
Model	Type	Pressure Range	Connection	Terminals
PTS	A: 4 - 20 mA (2 wire) B: 0 - 5V (3 wire) C: 0 - 10V(3 wire) D: 0.5 - 4.5V (3 wire) E: 1 - 5V (3 wire)	Specify Pressure Range Required Manufactured to Order	P1 - 1/4 NPT P2 - 1/4 BSPP* P3 - 7/16X20 SAE MALE P4 - 7/16X20 SAE FEMALE SCHRADER VALVE *Non Standard	C1 - Packard Plug C2 - M12-4 Pin C3 - Cable (Specify cable length - minimum 3 ft.) C4 - DIN 43650C Consult PIC Gauges for other Terminal Options