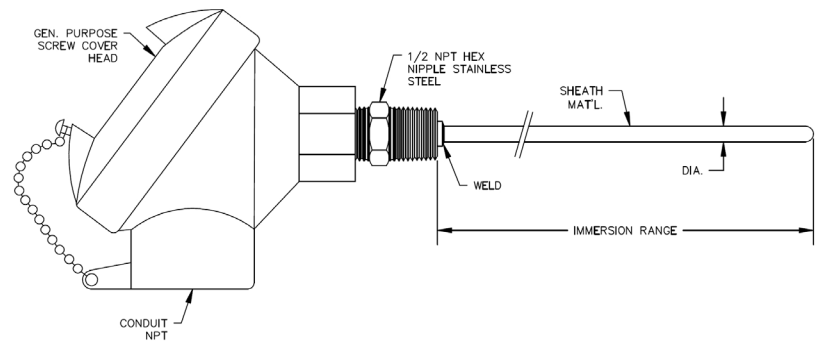
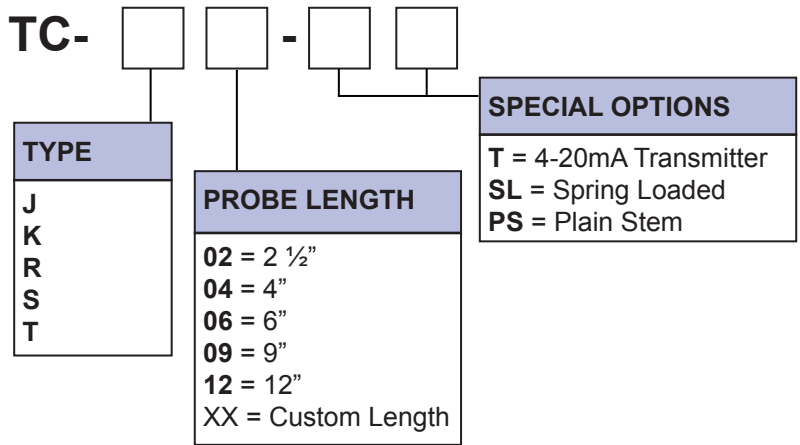
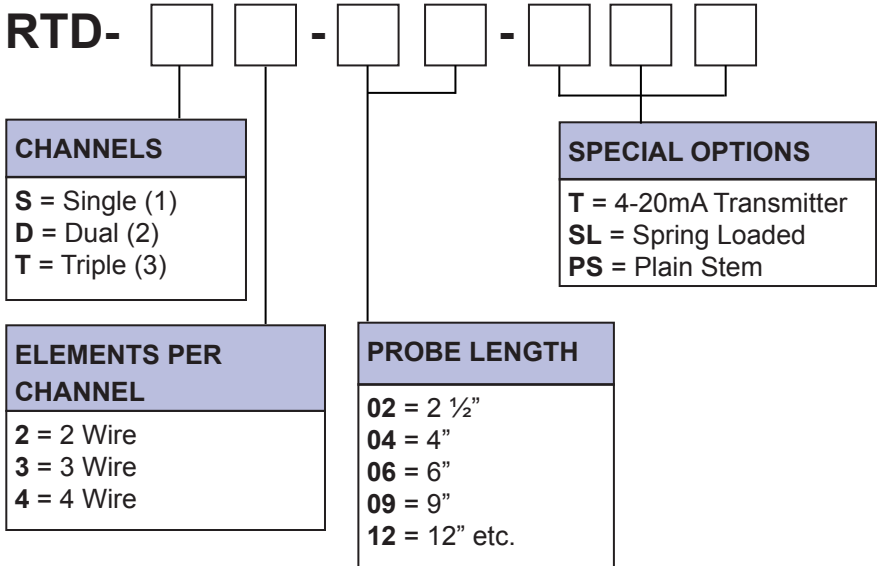


High quality electronic temperature measurement instruments
 Industrial, commercial, and custom process assemblies designed to meet the requirements of rigorous and severe applications

PART NUMBERING SYSTEM



NOTE: Not all part numbers or options are available from stock. Consult PIC Gauges for availability.