



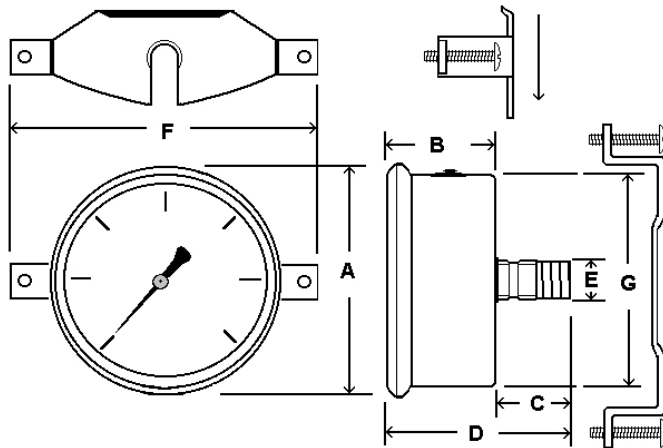
SEC-203L LIQUID FILLED U-CLAMP PANEL MOUNT

Glycerine filled for added durability in applications where vibration or pulsation is present
 Stainless steel case and bezel, copper alloy internals

SPECIFICATIONS

2	Dial	2 ½" (63 mm),
	Case	Stainless steel, glycerine filled
	Wetted Parts	Copper alloy
	Bezel	Stainless steel, fixed
	Lens	Polycarbonate
	Pointer	Black aluminum
	Connection	Center back mount with u-clamp 2 ½" dial = ¼" NPT
	Scale	Standard: psi/BAR (x 100 = kPa)
	Accuracy	3-2-3% of span ASME B40.1 Grade B
	Ambient Temp	Glycerine Filled = 30° F to 160° F Dry = -30° F to 180° F

Design meets or exceeds ASME B40.100 pressure gauge standard.



Dial	Unit	A	B	C	D	E	F	G
2 ½"	In.	2.65"	1.21"	0.91"	2.12"	¼"	3.84"	2.44"
	mm	68	31	23	54	NPT	98	61

AVAILABLE OPTIONS*

- Certificate of Accuracy, NIST traceable
- Custom Dial
- Liquid Fill Options, see page 176
- Anti-Vibration Movement, see page 109
- Dry, Fillable Case
- Special Connection Size
- Max/Min Pointer, see page 122

*Lead times/minimums may apply

APPROXIMATE SHIPPING WEIGHTS/ BOX QUANTITIES

Dial Size	Est. Unit Weight	Box Qty
2 ½"	0.55 lbs (0.26 kg)	60