

SEC-204L LIQUID FILLED FRONT FLANGE PANEL MOUNT



Glycerine filled for added durability in applications where vibration or pulsation is present
Stainless steel case and bezel, copper alloy internals

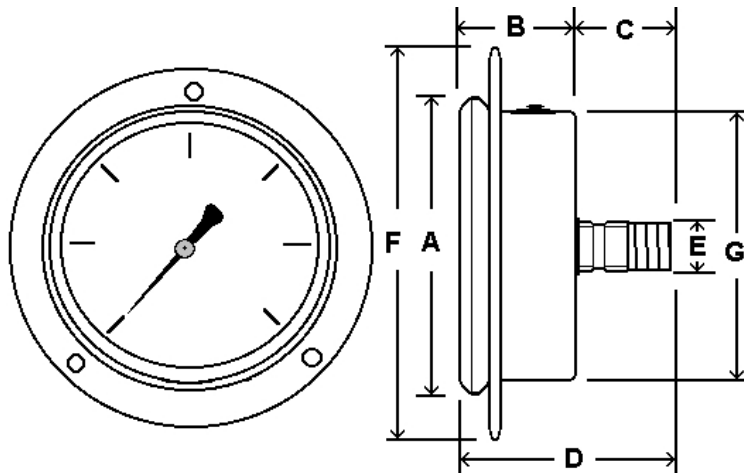
SPECIFICATIONS

Dial	2 1/2" (63 mm)
Case	Stainless steel, glycerine filled
Wetted Parts	Copper alloy
Bezel	Stainless steel, fixed
Lens	Polycarbonate
Pointer	Black aluminum
Connection	Center back mount with front flange 2 1/2" dial = 1/4" NPT
Scale	Standard: psi/BAR (x 100 = kPa)
Accuracy	3-2-3% of span ASME B40.1 Grade B
Ambient Temp	Glycerine Filled = 30° F to 160° F Dry = -30° F to 180° F

Design meets or exceeds ASME B40.100 pressure gauge standard.



2



Dial	Unit	A	B	C	D	E	F	G
2 1/2"	In.	2.65"	1.21"	0.91"	2.12"	1/4"	3.46"	2.44"
	mm	68	31	23	54	NPT	88	61

For complete flange dimensions, see page 123.

AVAILABLE OPTIONS*

- Certificate of Accuracy, NIST traceable
- Custom Dial
- Liquid Fill Options, see page 176
- Anti-Vibration Movement, see page 109
- Dry, Fillable Case
- Special Connection Size
- Max/Min Pointer, see page 122

*Lead times/minimums may apply

APPROXIMATE SHIPPING WEIGHTS/ BOX QUANTITIES

Dial Size	Est. Unit Weight	Box Qty
2 1/2"	0.55 lbs (0.26 kg)	60