

SEC-301LFW ALL STAINLESS LOWER MOUNT



All stainless steel gauge with welded case-to-stem connection
 Stainless steel case and bezel, 316 stainless steel internals
 Glycerine filled for added durability in applications where vibration or pulsation is present

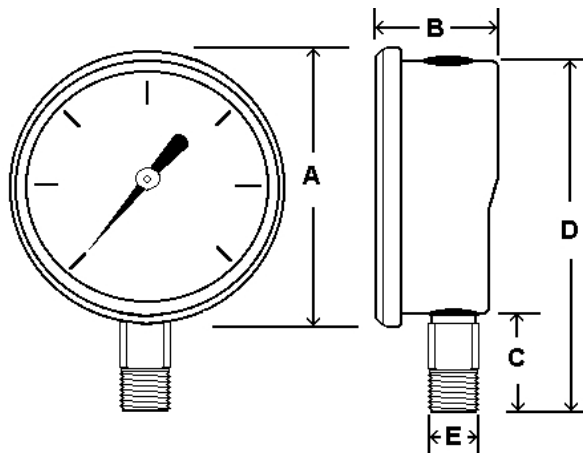
SPECIFICATIONS

Dial	2 1/2" (63 mm)
Case	Stainless steel, glycerine filled Welded case-to-stem connection
Wetted Parts	316 stainless steel
Bezel	Stainless steel, fixed
Lens	Polycarbonate
Pointer	Black aluminum
Connection	Lower mount 2 1/2" dial = 1/4" NPT
Scale	Standard: psi/BAR (x 100 = kPa)
Accuracy	3-2-3% of span ASME B40.1 Grade B
Ambient Temp	Glycerine Filled = 30° F to 160° F Dry = -30° F to 180° F

Design meets or exceeds ASME B40.100 pressure gauge standard.



3



Dial	Unit	A	B	C	D	E
2 1/2"	In.	2.80"	1.37"	0.93"	3.40"	1/4" NPT
	mm	71	35	24	86	

AVAILABLE OPTIONS*

- Certificate of Accuracy, NIST traceable
- Custom Dial
- Liquid Fill Options, see page 176
- Anti-Vibration Movement, see page 109
- Dry, Fillable Case
- Glass Lens
- Special Connection Size
- Protective Rubber Cover, see page 121
- Max/Min Pointer, see page 122

*Lead times/minimums may apply

APPROXIMATE SHIPPING WEIGHTS/ BOX QUANTITIES

Dial Size	Est. Unit Weight	Box Qty
2 1/2"	0.50 lbs (0.22 kg)	50