



# SEC-304LFW ALL STAINLESS FRONT FLANGE PANEL MOUNT

All stainless steel gauge with welded case-to-stem connection

Stainless steel case and bezel, 316 stainless steel internals

Glycerine filled for added durability in applications where vibration or pulsation is present

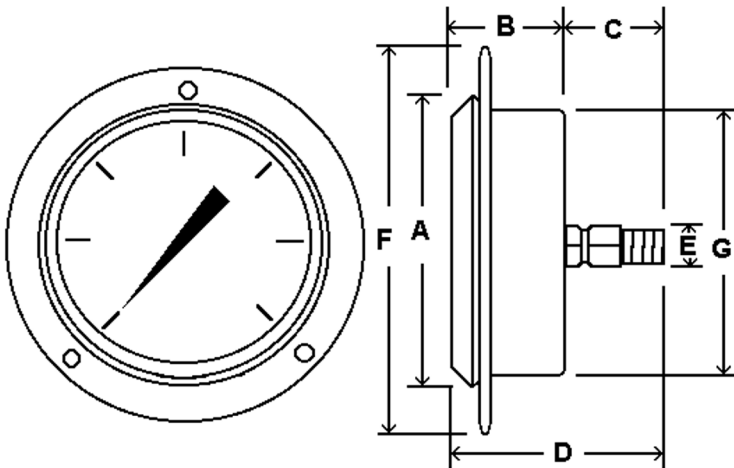
## SPECIFICATIONS

|                     |   |
|---------------------|---|
| <b>Dial</b>         | 2 ½" (63 mm)  |
| <b>Case</b>         | Stainless steel, glycerine filled<br>Welded case-to-stem connection |
| <b>Wetted Parts</b> | 316 stainless steel   |
| <b>Bezel</b>        | Stainless steel, fixed  |
| <b>Lens</b>         | Polycarbonate   |
| <b>Pointer</b>      | Black aluminum  |
| <b>Connection</b>   | Center back mount with front flange<br>2 ½" dial = ¼" NPT           |
| <b>Scale</b>        | Standard: psi/BAR (x 100 = kPa)                                     |
| <b>Accuracy</b>     | 3-2-3% of span ASME B40.1 Grade B                                   |
| <b>Ambient Temp</b> | Glycerine Filled = 30° F to 160° F<br>Dry = -30° F to 180° F        |

3



Design meets or exceeds ASME B40.100 pressure gauge standard.



| Dial | Unit | A     | B     | C     | D     | E   | F     | G     |
|------|------|-------|-------|-------|-------|-----|-------|-------|
| 2 ½" | In.  | 2.67" | 1.17" | 1.08" | 2.19" | ¼"  | 3.46" | 2.45" |
|      | mm   | 68    | 30    | 28    | 56    | NPT | 88    | 62    |

For complete flange dimensions, see page 123.

## AVAILABLE OPTIONS\*

- Certificate of Accuracy, NIST traceable
- Custom Dial
- Liquid Fill Options, see page 176
- Anti-Vibration Movement, see page 109
- Dry, Fillable Case
- Glass Lens
- Special Connection Size
- Max/Min Pointer, see page 122

\*Lead times/minimums may apply

## APPROXIMATE SHIPPING WEIGHTS/ BOX QUANTITIES

| Dial Size | Est. Unit Weight      | Box Qty |
|-----------|-----------------------|---------|
| 2 ½"      | 0.50 lbs<br>(0.24 kg) | 50      |