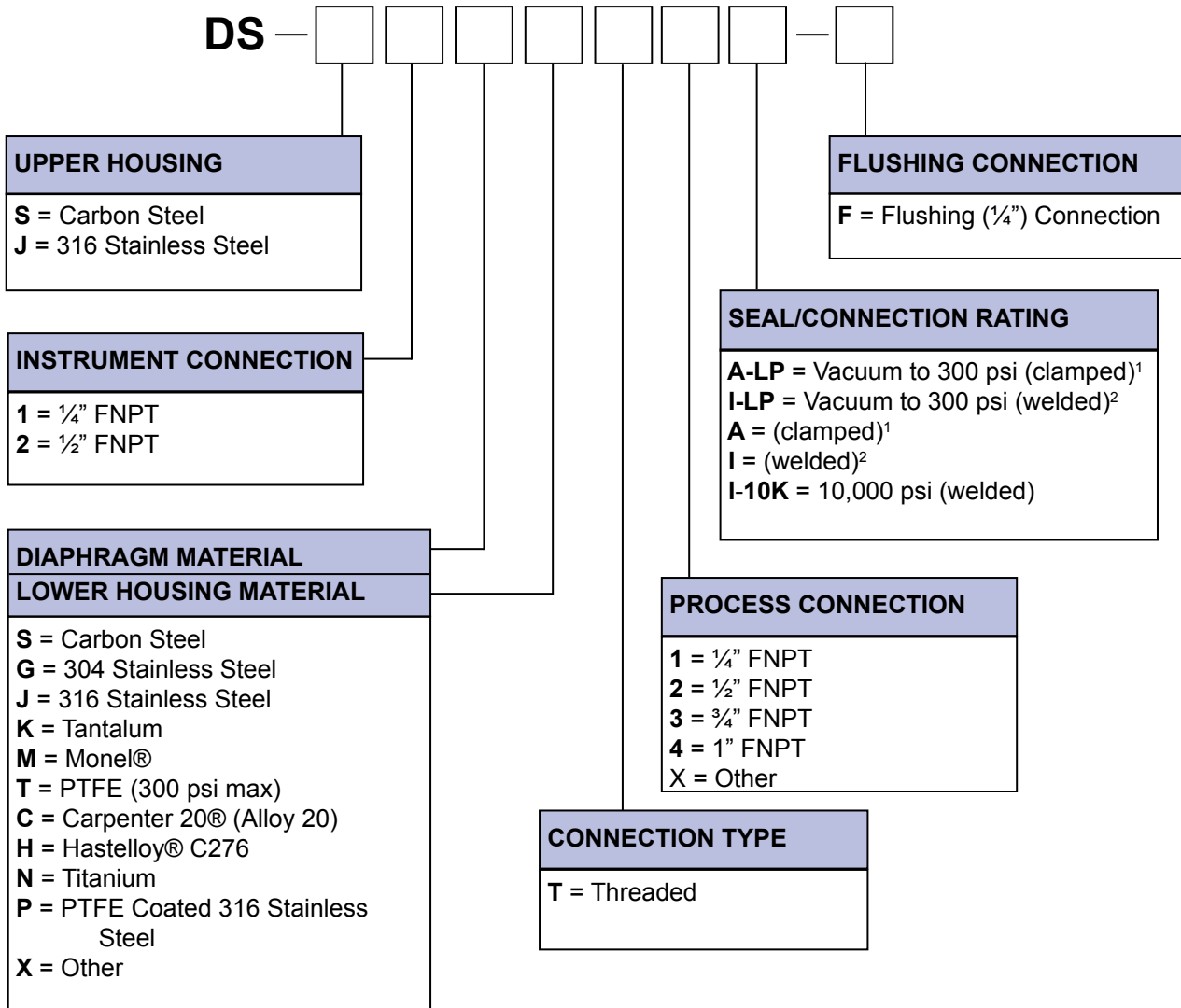




# THREADED DIAPHRAGM SEAL PART NUMBERING SYSTEM



**EXAMPLE: "DS-J2JJT2I-F"<sup>3</sup>**

**DS** = Diaphragm Seal

**J** = 316 Stainless Steel Upper Housing  
**2** = ½" FNPT Instrument Connection  
**J** = 316 Stainless Steel Diaphragm  
**J** = 316 Stainless Steel Lower Housing  
**T** = Threaded Connection  
**2** = ½" FNPT Process Connection  
**I** = 2500 psi (welded diaphragm)

**F** = Flushing (¼") Connection