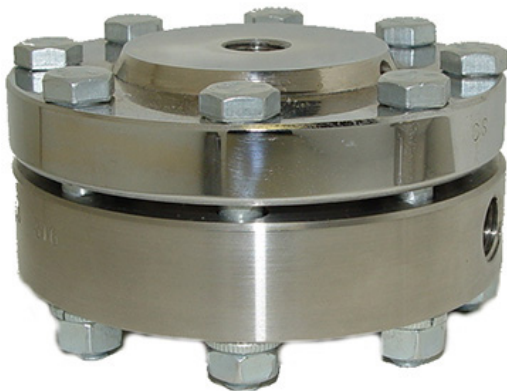
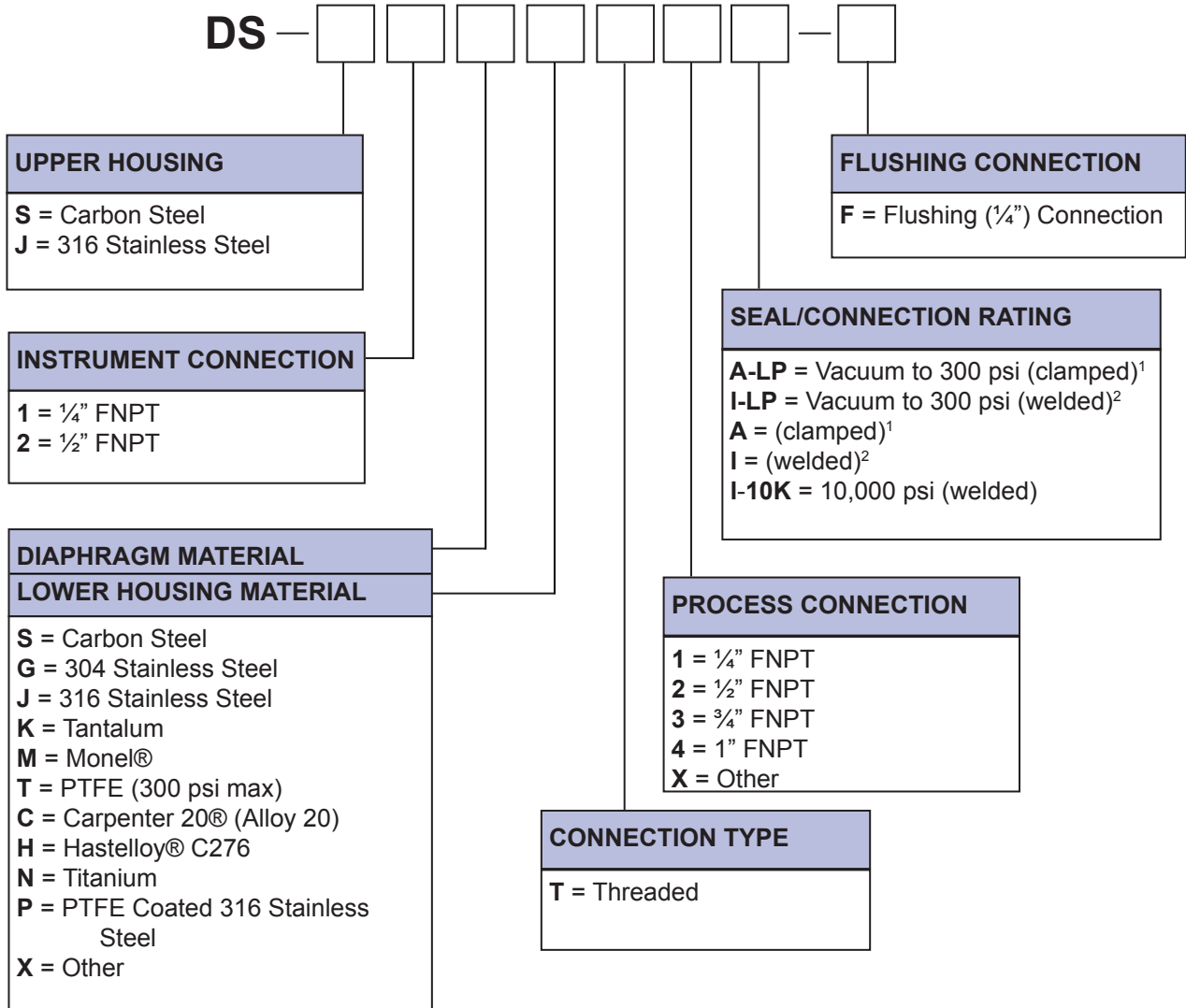


THREADED DIAPHRAGM SEAL PART NUMBERING SYSTEM



EXAMPLE: "DS-J2JJT2I-F"³

DS = Diaphragm Seal

J = 316 Stainless Steel Upper Housing
2 = 1/2" FNPT Instrument Connection
J = 316 Stainless Steel Diaphragm
J = 316 Stainless Steel Lower Housing
T = Threaded Connection
2 = 1/2" FNPT Process Connection
I = 2500 psi (welded diaphragm)

F = Flushing (1/4") Connection

Notes:
 1. Metallic diaphragm rated up to 2000 psi
 2. Metallic diaphragm rated up to 2500 psi
 Elastomer diaphragm ratings vary, consult PIC Gauges for details.
 3. Not all part numbers or options are available from stock. Consult PIC Gauges for availability.