

401A SERIES AGRICULTURAL AMMONIA GAUGE

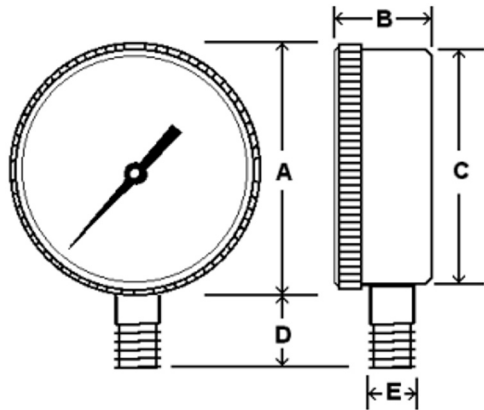
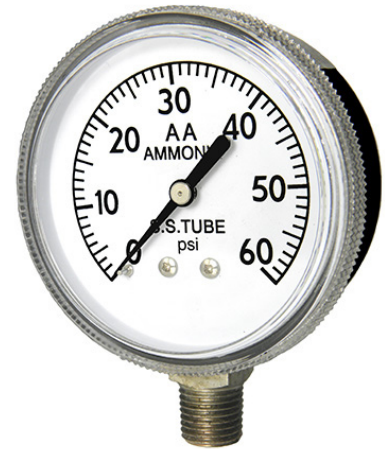


Dry, non-fillable gauge for agricultural ammonia applications
 Black painted steel case, stainless steel internals and steel socket

SPECIFICATIONS

Dial	2 1/2" (63 mm), 4" (100 mm)
Case	Black painted steel, dry non-fillable
Wetted Parts	Stainless steel bourdon tube Steel connection
Ranges	0/60 psi, 0/160 psi, 0/400 psi
Bezel	Removable lens
Lens	Plastic, twist-off
Pointer	Black aluminum
Connection	Lower mount 1/4" NPT
Scale	Standard: single scale psi
Accuracy	3-2-3% of span, ASME B40.1 Grade B
Ambient Temp	-40° F to 180° F

Design meets or exceeds ASME B40.100 pressure gauge standard.



Dial	Unit	A	B	C	D	E
2 1/2"	In.	2.84"	1.18"	2.65"	0.67"	1/4" NPT
	mm	72	30	67	17	
4"	In.	4.05"	1.40"	3.87"	0.89"	1/4" NPT
	mm	103	36	98	23	

STANDARD DIAL CONFIGURATIONS FOR AGRICULTURAL AMMONIA SERIES

Part Number	Dial Size	Dial Range	Figure Intervals	Graduation Intervals
401A-254D	2 1/2"	0/60 psi	10 psi	1 psi
401A-254F	2 1/2"	0/160 psi	40 psi	5 psi
401A-254I	2 1/2"	0/400 psi	100 psi	10 psi
401A-404D	4"	0/60 psi	10 psi	2 psi
401A-404F	4"	0/160 psi	40 psi	5 psi
401A-404I	4"	0/400 psi	100 psi	10 psi

AVAILABLE OPTIONS*

- Custom Dial
- Special Connection Size
- Other Ranges

*Lead times/minimums may apply

APPROXIMATE SHIPPING WEIGHTS/ BOX QUANTITIES

Dial Size	Est. Unit Wt.	Box Qty
2 1/2"	0.25 lbs (0.12 kg)	50
4"	0.65 lbs (0.30 kg)	upon request