

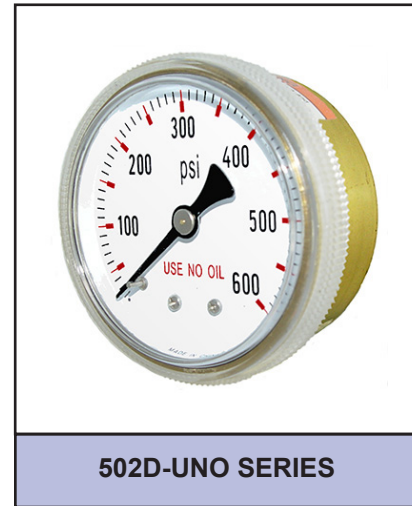
500-UNO SERIES



“Use No Oil” gauge designed for use on compressed gas regulators and tanks
copper alloy case, twist off lens, copper alloy internals

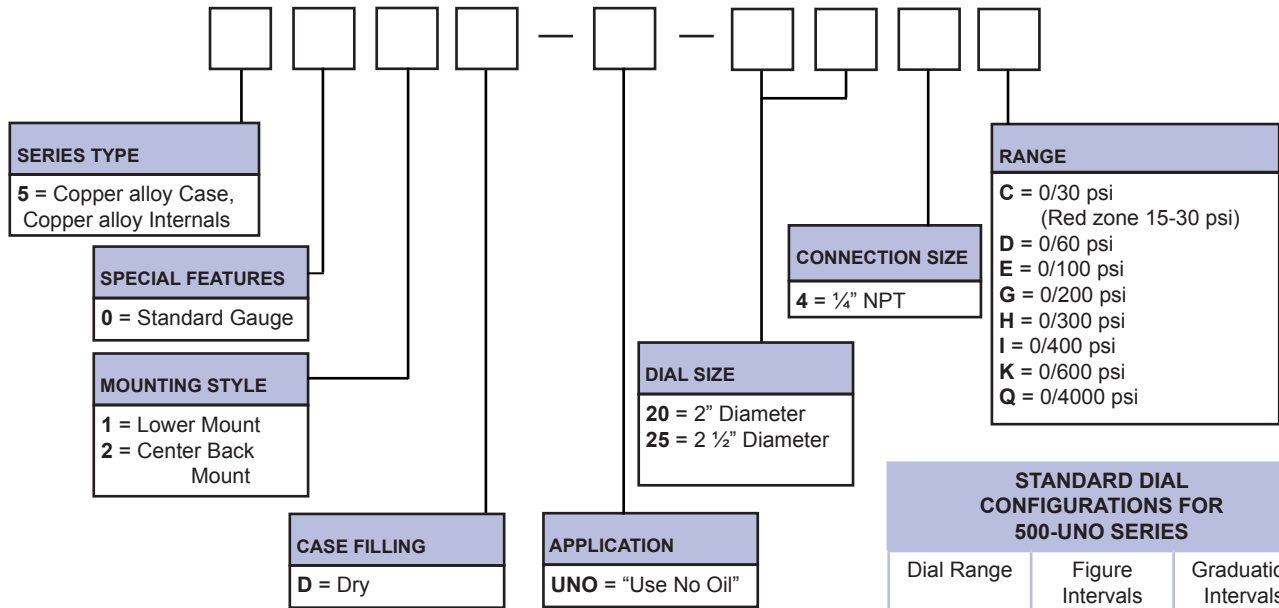


501D-UNO SERIES



502D-UNO SERIES

PART NUMBERING SYSTEM



EXAMPLE APPLICATIONS
Welding
Beverage
Cryogenic

STANDARD DIAL CONFIGURATIONS FOR 500-UNO SERIES		
Dial Range	Figure Intervals	Graduation Intervals
0/30 psi	10 psi	1 psi
0/60 psi	10 psi	1 psi
0/100 psi	20 psi	2 psi
0/200 psi	40 psi	5 psi
0/300 psi	50 psi	5 psi
0/400 psi	50 psi	5 psi
0/600 psi	100 psi	20 psi
0/4000 psi	500 psi	100 psi

NOTE: Because of continuing improvements, increments and specifications are subject to change.

Stock ranges vary by dial size and configuration. Consult PIC Gauges for availability.

A Division of Engineered Specialty Products, Inc.