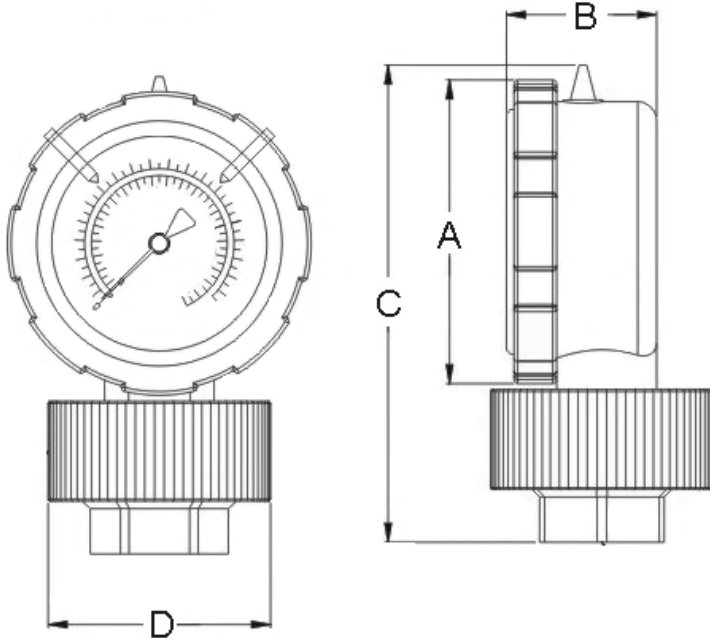
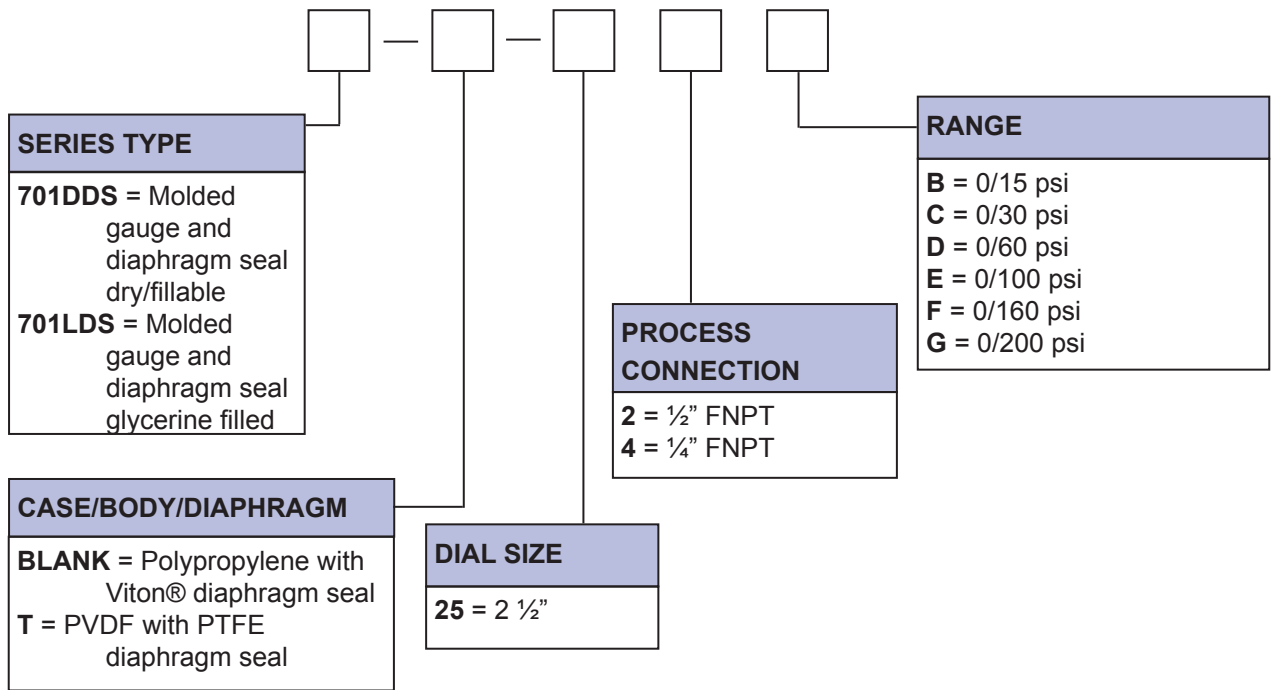


701DDS MOLDED GAUGE & DIAPHRAGM SEAL PART NUMBERING SYSTEM



Dial Range	Figure Intervals	Graduation Intervals
0/15 psi	2 psi	0.2 psi
0/30 psi	5 psi	0.5 psi
0/60 psi	10 psi	1 psi
0/100 psi	20 psi	2 psi
0/160 psi	20 psi	2 psi
0/200 psi	40 psi	5 psi

Dial	Unit	A	B	C	D
2 1/2"	In.	3.16"	1.61"	5.35"	2.32"
	mm	80.5	41	136	59

NOTE: Not all part numbers or options are available from stock. Consult PIC Gauges for availability.