



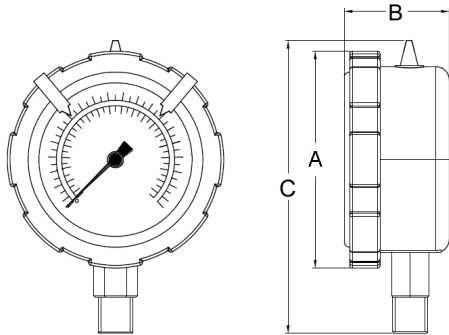
# 701L POLY CASE LIQUID FILLED LOWER MOUNT

Plastic case/glycerine filled for durability in applications where vibration/pulsation is present  
Suitable for air, water, oil, gas or any other media not corrosive to copper alloy

## SPECIFICATIONS

<b>Dial</b>	2 1/2" (63 mm)
<b>Case</b>	Polypropylene, glycerine filled
<b>Wetted Parts</b>	Copper alloy
<b>Bezel</b>	Removable, polypropylene with adjustable Reference clips
<b>Lens</b>	Polycarbonate
<b>Pointer</b>	Adjustable, black aluminum
<b>Connection</b>	Lower mount 1/4" NPT
<b>Scale</b>	Standard: psi/BAR (100 x kPa)
<b>Accuracy</b>	2-1-2% of span ASME B40.1 Grade A
<b>Ambient Temp</b>	Glycerine Filled = 30° F to 160° F Dry = -30° F to 180° F

*Design meets or exceeds ASME B40.100 pressure gauge standard.*



Dial	Unit	A	B	C	D
2 1/2"	In.	3.16"	1.65"	4.25"	1/4"
	mm	80.5	42	108	NPT

## AVAILABLE OPTIONS\*

- Certificate of Accuracy, NIST traceable
- Custom Dial
- Liquid Fill Options, see page 176
- Special Connection Size
- Alternate Lens Material
- Cleaned for Oxygen Service (dry only)
- Max/Min Pointer, see page 122

\*Lead times/minimums may apply

## STANDARD DIAL CONFIGURATIONS

Dial Range	Figure Intervals	Graduation Intervals	Dial Range	Figure Intervals	Graduation Intervals
30/0"hg Vac	5" hg	0.5" hg	0/160 psi	20 psi	2 psi
30/0/15 psi	10" hg/5 psi	1" hg/0.5 psi	0/200 psi	40 psi	5 psi
30/0/30 psi	10" hg/10psi	1" hg/1 psi	0/300 psi	50 psi	5 psi
30/0/60 psi	10" hg/10psi	2" hg/1 psi	0/400 psi	50 psi	5 psi
30/0/100 psi	30" hg/20 psi	5" hg/2 psi	0/600 psi	100 psi	10 psi
30/0/150 psi	30" hg/20 psi	5" hg/2 psi	0/1000 psi	200 psi	20 psi
30/0/300 psi	30" hg/50 psi	10" hg/5 psi	0/1500 psi	200 psi	20 psi
0/15 psi	2 psi	0.2 psi	0/2000 psi	400 psi	50 psi
0/30 psi	5 psi	0.5 psi	0/3000 psi	500 psi	50 psi
0/60 psi	10 psi	1 psi	0/4000 psi	500 psi	50 psi
0/100 psi	20 psi	2 psi	0/5000 psi	1000 psi	100 psi

## APPROXIMATE SHIPPING WEIGHTS/ BOX QUANTITIES

Dial Size	Est. Unit Wt.	Box Qty
2 1/2"	0.55 lb (0.26 kg)	upon request

For part numbering system, see page 4.

**NOTE:** Because of continuing improvements, specifications are subject to change.  
Stock ranges vary by dial size and configuration. Consult PIC Gauges for availability.