



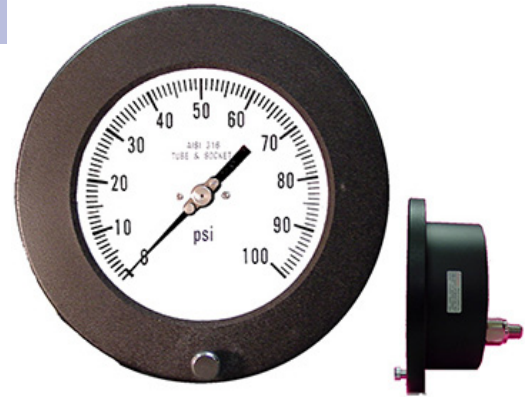
# 4504, 6504 PROCESS GAUGE PANEL MOUNT

Hinged ring panel mount for easy adjustment  
Solid front safety case design

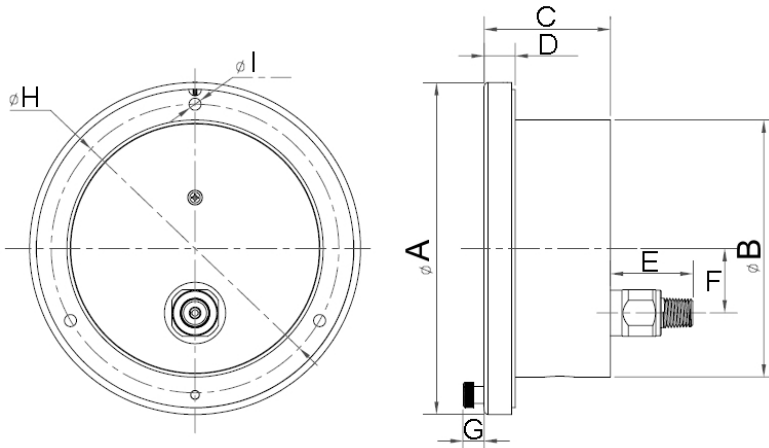
## SPECIFICATIONS

<b>Dial</b>	4 ½" (114 mm), 6" (150 mm)
<b>Case</b>	Aluminum case with hinged front flange Solid front/blow out back
<b>Wetted Parts</b>	316 stainless steel
<b>Movement</b>	With overload/underload stops
<b>Bezel</b>	Removable, black enamel aluminum
<b>Lens</b>	Plastic lens for 4 ½" Glass lens for 6"
<b>Pointer</b>	Micro adjustable, black aluminum
<b>Connection</b>	Lower back mount ¼" or ½" NPT
<b>Scale</b>	Standard: single scale psi
<b>Accuracy</b>	0.5% of span ASME B40.1 Grade 2A
<b>Ambient Temp</b>	Dry = -30° F to 180° F

*Design meets or exceeds ASME B40.100 pressure gauge standard.*



4



Dial	Unit	A	B	C	D	E	F	G	H	I
4 ½"	In.	6.16"	4.77"	2.35"	0.58"	1.70"	1.20"	0.39"	5.35"	0.22"
	mm	156.5	121.2	59.7	14.7	43.2	30.4	10	136	5.7
6"	In.	7.56"	4.76"	2.62"	0.63"	1.40"	1.20"	0.33"	7.01"	0.19"
	mm	192	121	66.5	16	35.6	30.4	8.5	178	4.7

## AVAILABLE OPTIONS\*

- Certificate of Accuracy, NIST traceable
- Custom Dial
- 3/15 Receiver Gauge
- Special Connection Size
- Cleaned for Oxygen Service (dry only)
- Knife-edge Pointer
- Max/Min Pointer, see page 122

\*Lead times/minimums may apply

## APPROXIMATE SHIPPING WEIGHTS/ BOX QUANTITIES

Dial Size	Est. Unit Wt.	Box Qty
4 ½"	2.36 lbs/ (1.07 kg)	18
6"	3.10 lbs/ (1.40 kg)	upon request