

BIMETAL THERMOMETERS FIXED BACK MOUNT (90°)



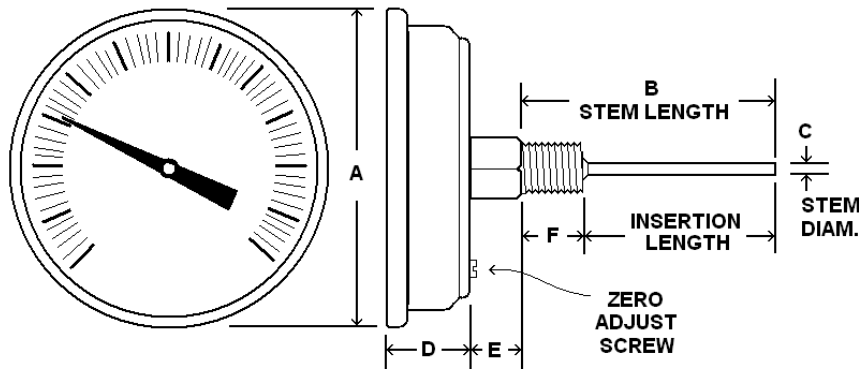
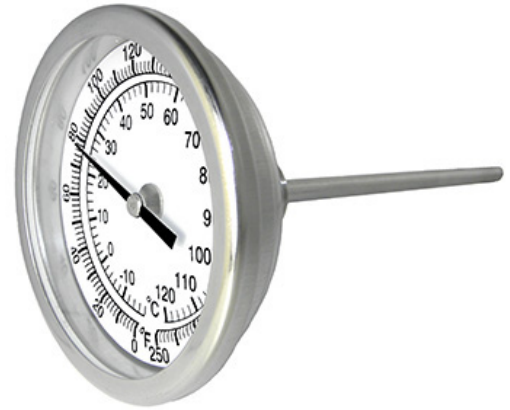
Dial type bimetal thermometer

Features anti-vibration design, anti-parallax dial, hermetically sealed case

SPECIFICATIONS

Dial	2" (50 mm), 3" (76 mm), 5" (130 mm) Anti-parallax dial design
Case	Stainless steel, hermetically sealed
Stem	316 stainless steel, welded to connection
Lens	Glass
Pointer	Black aluminum
Connection	Back mount (90°), fixed 1/4" NPT on 2", 1/2" NPT on 3" & 5"
Scale	Standard: dual scale F & C
Accuracy	1% full scale per Grade A, ASME B40.3
Ambient Temp*	-30° F to 180° F
External Adjustment	Zero reset screw on 3" & 5" dial

Design meets or exceeds ASME B40.3 thermometer standard.



AVAILABLE OPTIONS*

- Certificate of Accuracy, NIST traceable
- Custom Dial
- Special Connection Size
- Single Scale
- Special Ranges
- Custom Lens Material

*Lead times/minimums may apply

APPROXIMATE SHIPPING WEIGHTS/ BOX QUANTITIES

Dial	Unit	A	B	C	D	E	F
2"	In.	2.30"	Stem Length	0.25"	0.51"	0.39"	1/4" or 1/2" NPT
	mm	58.4	Stem Length	6.45	12.9	10	
3"	In.	3.26"	Stem Length	0.25"	0.80"	0.43"	1/2" NPT
	mm	83	Stem Length	6.45	20	11	
5"	In.	5.28"	Stem Length	0.25"	0.82"	0.43"	1/2" NPT
	mm	134	Stem Length	6.45	22	11	

Dial Size	Est. Unit Weight	Box Qty
2"	0.20 lbs (0.10 kg)	upon request
3"	0.65 lbs (0.28 kg)	upon request
5"	1.15 lbs (0.52 kg)	upon request

*NOTE: High or low ambient temperatures may have adverse effect on accuracy. Consult PIC Gauges for instrument selection.