

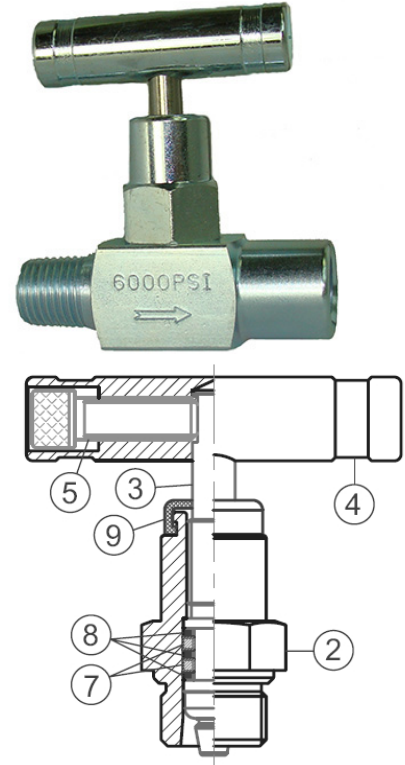
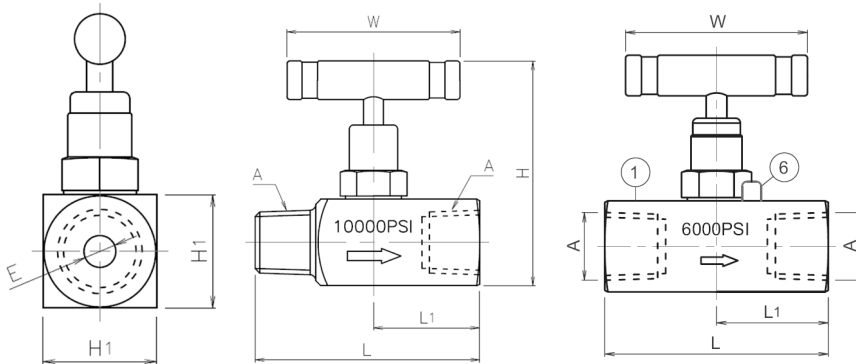
# NV-1/4 MINI NEEDLE VALVE



**Strong and Durable, Compact Size Needle Valve**  
**Pressures up to 6,000 psi soft seat, 10,000 psi hard seat**

## SPECIFICATIONS

<b>Series Number</b>	"NV"
<b>Material</b>	Carbon steel or 316 stainless steel See chart below for component materials
<b>Pressure Rating</b>	Soft seat - 6000 psi at 200° F Hard seat - 10,000 psi at 200° F
<b>Connection Size</b>	1/4" NPT, male x female, female x female male x male
<b>Handle</b>	Tee
<b>Seat Material</b>	Soft Seat - POM Hard Seat - Integrated
<b>Box Quantity</b>	60 pieces
<b>Est. Unit Weight</b>	0.40 lb/0.20 kg



Part Number	Unit	A	L	L1	H	H1	E	W
NV-SS-1/4-GS-180-MXF	In.	1/4" NPT	2.28"	1.14"	2.48"	0.75"	0.17"	1.81"
NV-SS-1/4-GS-180-FXF								
NV-SS-1/4-HS-180-MXF								
NV-SS-1/4-HS-180-FXF	mm		58	29	63	19	4.2	46
NV-CS-1/4-GS-180-MXF								
NV-CS-1/4-GS-180-MXM								
NV-CS-1/4-GS-180-FXF								
NV-CS-1/4-HS-180-MXF								
NV-CS-1/4-HS-180-FXF								

Number	Description	316 Valve	Carbon Steel Valve
1	Body	316 SS	C.S.
2	Bonnet	316 SS	C.S.
3	Stem	316 SS	304 SS
4	Handle	303 SS	C.S.
5	Fixing Screw	302 SS	C.S.
6	Lock Pin	303 SS	C.S.
7	O-Ring	Viton®	Viton®
8	Back-up Ring	PTFE	PTFE
9	Dust Cap	NBR	NBR

All dimensions shown in the catalog are approximate and subject to change.

## AVAILABLE OPTIONS\*

- High Temperature
- Thumb Wheel Handle
- Panel Mount
- Bleed Screw
- Tube End Connection
- Alternate Connection Sizes

\*Lead times/minimums may apply